



Tubular Locksets



(Version: 2015.6)

RA/SE/GT/GS/LA/SF TRIM





TABLE OF CONTENTS

How to order.....	Page 1
Roses and Plates Escutcheons.....	Page 2
Lever Designs and Finishes.....	Page 3
Tubular Latch Set.....	Page 4
Tubular Entry Set.....	Page 5
Tubular Latch.....	Page 6-7
Privacy Bolt.....	Page 8
Deadbolt & Rim Cylinders.....	Page 9
Exploded Diagram.....	Page 10-14
Care and Maintenance.....	Page 15
Product Warranty.....	Page 16

STANDARD STOCK ITEM:

How to Order

For leversets using the same interior and exterior lever and finish combination:

Product Identification

SF 105 L61-32D-LH

Finish:

32D = Satin Stainless Steel
 32 = Polished Stainless Steel
 SP = Two Tone Satin and Polished Stainless Steel
 10B = Oil Rubbed Bronze on Stainless Steel

Handing*:

RH – Right Hand
 LH – Left Hand
 RHR – Right Hand Reverse
 LHR – Left Hand Reverse
 * Specify for half passage, passage w/ privacy bolt and entry functions.

Lever:

101 Cologne
 102 Munich
 103 Oslo
 104 Brussels
 105 Frankfurt
 106 Copenhagen
 107 Stockholm
 108 Vienna
 109 Stuttgart
 210 Air-stream
 211 Breeze
 213 Cabernet
 214 Champagne
 217 Horizon
 221 Aurora
 223 Phoenix
 225 Waterfall
 226 Summer
 227 Stratus
 243 Sunrise
 244 Twilight
 251 Sequoia
 311 Crest
 344 Ecco
 345 Tokyo
 346 Osaka
 351 Toronto
 379 Arctic (GT/GS)
 380 Polaris (RA/SE/LA/SF)

RA Rose
 SE Rose
 GT Rose
 GS Rose
 LA Plate
 SF Plate

Function:

Tubular Latch

L61 = Tubular Latch, Passage with TL2 Latch, 2-3/8" Backset
 L62 = Tubular Latch, Privacy with TL2 Latch, 2-3/8" Backset
 L65 = Tubular Latch, Half Passage with TL2 Latch, 2-3/8" Backset
 L66 = Tubular Latch, Passage with TL2 Latch and Privacy Bolt, 2-3/8" Backset (For LA, SF only)
 L71 = Tubular Latch, Passage with TL2 Latch, 2-3/4" Backset
 L72 = Tubular Latch, Privacy with TL2 Latch, 2-3/4" Backset
 L75 = Tubular Latch, Half Passage with TL2 Latch, 2-3/4" Backset
 L76 = Tubular Latch, Passage with TL2 Latch and Privacy Bolt, 2-3/4" Backset (For LA, SF only)

 L461 = Tubular Latch, Passage with TL4 Latch, 2-3/8" Backset
 L462 = Tubular Latch, Privacy with TL4 Latch, 2-3/8" Backset
 L465 = Tubular Latch, Half Passage with TL4 Latch, 2-3/8" Backset
 L466 = Tubular Latch, Passage with TL4 Latch and Privacy Bolt, 2-3/8" Backset (For LA, SF only)
 L471 = Tubular Latch, Passage with TL4 Latch, 2-3/4" Backset
 L472 = Tubular Latch, Privacy with TL4 Latch, 2-3/4" Backset
 L475 = Tubular Latch, Half Passage with TL4 Latch, 2-3/4" Backset
 L476 = Tubular Latch, Passage with TL4 Latch and Privacy Bolt, 2-3/4" Backset (For LA, SF only)

DL = Dummy Single Left

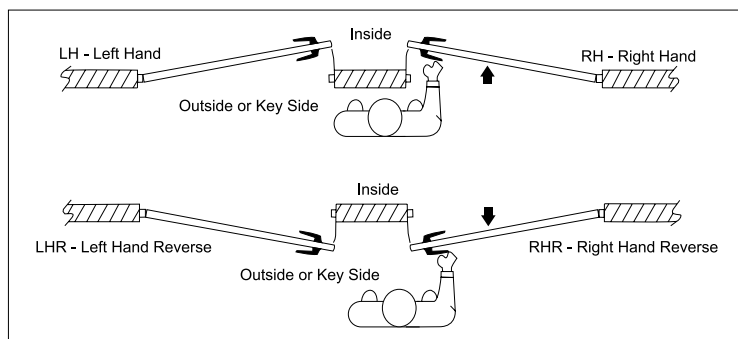
DR = Dummy Single Right

DP = Dummy Pair (Lower Lever Position) (For LA,SF only)

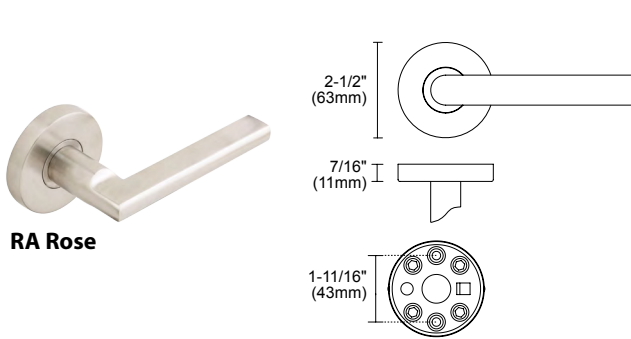
MDP=Dummy Pair (Higher Lever Position) (For LA,SF only)

Tubular Latch and Deadbolt Combo

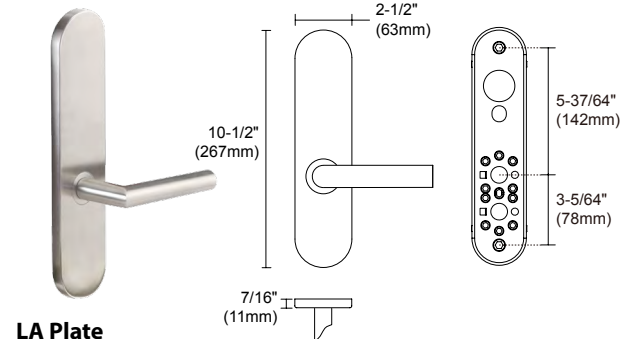
C63 = Combo Deadbolt and TL2 Latch, 2-3/8" Backset, Single Cylinder
 C73 = Combo Deadbolt and TL2 Latch, 2-3/4" Backset, Single Cylinder
 C463 = Combo Deadbolt and TL4 Latch, 2-3/8" Backset, Single Cylinder
 C473 = Combo Deadbolt and TL4 Latch, 2-3/4" Backset, Single Cylinder
 C64 = Combo Deadbolt and TL2 Latch, 2-3/8" Backset, Double Cylinder
 C74 = Combo Deadbolt and TL2 Latch, 2-3/4" Backset, Double Cylinder
 C464 = Combo Deadbolt and TL4 Latch, 2-3/8" Backset, Double Cylinder
 C474 = Combo Deadbolt and TL4 Latch, 2-3/4" Backset, Double Cylinder
 EDP = Dummy Entry with Dummy Cylinder



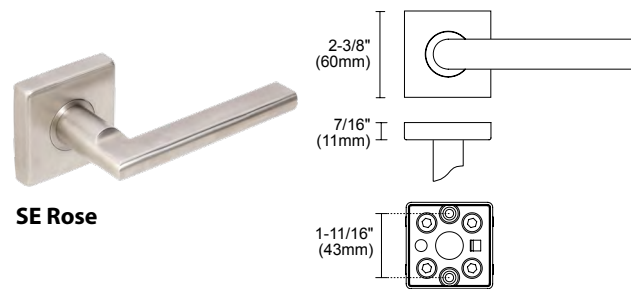
Roses and Plates Escutcheons



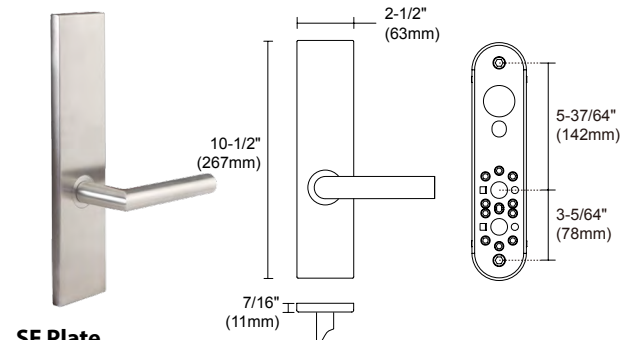
RA Rose



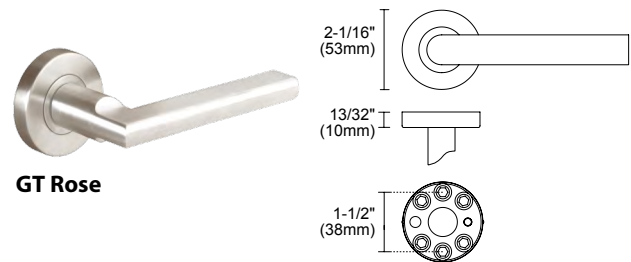
LA Plate
(Tubular Passage, Privacy)



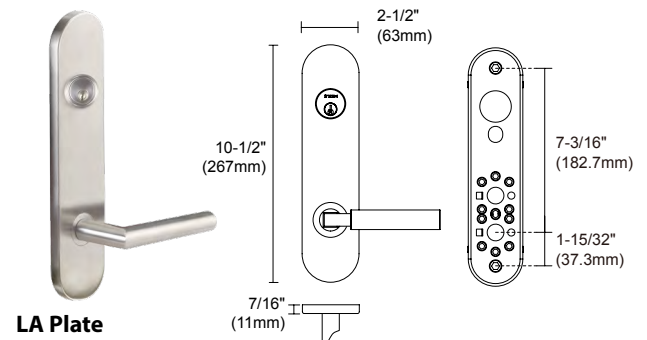
SE Rose



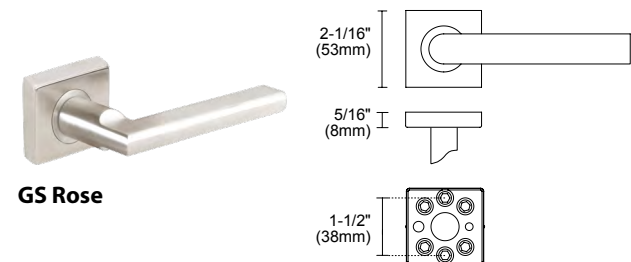
SF Plate
(Tubular Passage, Privacy)



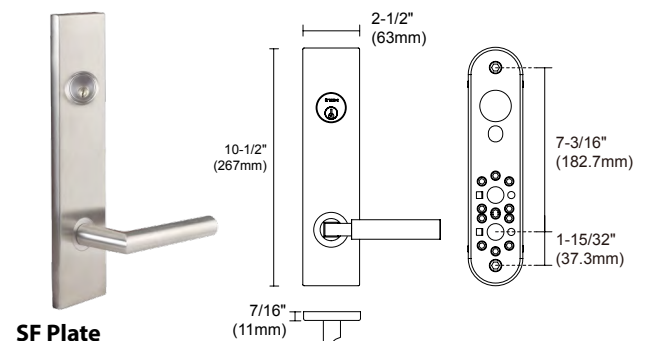
GT Rose



LA Plate
(Tubular Entry)



GS Rose



SF Plate
(Tubular Entry)

Lever Designs and Finishes



101 Cologne (32, 32D)



103 Oslo (32, 32D)



104 Brussels (32, 32D)



105 Frankfurt (32, 32D, 10B)



106 Copenhagen (32, 32D, 10B)



107 Stockholm (32, 32D)



108 Vienna (SP*)



210 Air-stream (32, 32D, 10B)



211 Breeze (32, 32D, 10B)



213 Cabernet (32, 32D)



214 Champagne (32, 32D, 10B)



217 Horizon (32, 32D)



221 Aurora (32, 32D, SP*, 10B)



223 Phoenix (32D, SP*)



225 Waterfall (32, 32D)



226 Summer (32, 32D)



227 Stratus (32, 32D)



243 Sunrise (32, 32D, 10B)



251 Sequoia (32, 32D, SP*)



311 Crest (32, 32D, 10B)



344 Ecco (32, 32D)



345 Tokyo (32, 32D)



351 Toronto (32, 32D)



379 Arctic (32, 32D)



380 Polaris (32,32D)

Lever Designs with "Return To Door" (RTD)*

*Compliant with California Fire Code



102 Munich (32, 32D)



109 Stuttgart (32, 32D)



244 Twilight (32, 32D)



346 Osaka (32, 32D)

*SP is a two-tone stainless steel finish: satin (32D) finish on lever grip, polished (32) finish on lever neck and roses.

379 Arctic knob are available for GT/GS small rosette and BP/MU plates. 380 Polaris knobs are available for RA/SE rosette, LA/SF plates and Entrance Handlesets.

Finish

· Satin Stainless Steel
US32D/630· Bright Polished Stainless Steel
US32/629· Two-tone Stainless Steel
SP(Satin on Lever Grip;
Polished on Lever Neck and Roses)· Oil Rubbed Bronze on Stainless Steel
10B/613

Tubular Latch Set



Application

For residential interior doors with passage, privacy, or dummy application.

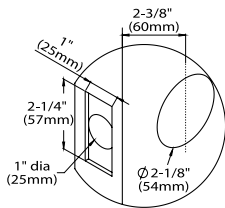
Material

Stainless Steel Levers and Escutcheons

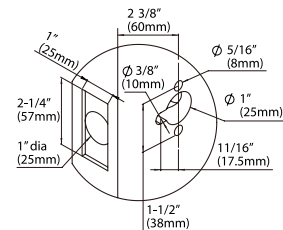
Specification

- Door Thickness: 1-3/8" (35mm) to 1-3/4" (44mm)
Thick Door Kits Available
- Latch Backset: 2-3/8" (60mm) standard
2-3/4" (70mm) optional
- Latch: Available for both TL2 and TL4 Latch
- Handing:
Field reversible latch for passage and privacy function.
Specify handing for half passage and passage w/ privacy bolt function
- Hub and Spindle: 5/16 (8mm) square
- Latch Faceplate: 1"x2-1/4" standard square corner
- Latch Strike:
Full lip strike and T-strike with square corners.
Radius corner faceplate and strike, or ASA Strike also available. Order separately.
- Leverset Thru-bolts: 2 EA M4x35mm

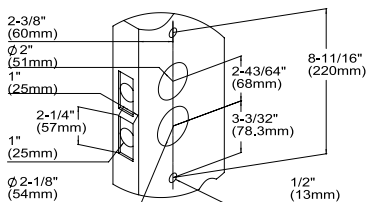
Door Preparation



Standard Prep (*except for GT)



GT Series Prep

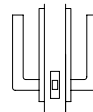
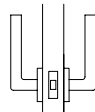


LA/ SF Privacy Set Prep

Please go to: www.inoxproducts.com/resources for the latest door preparation templates and installation instructions.

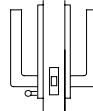
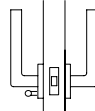


Functions: Non-Keyed Lock



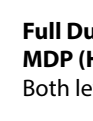
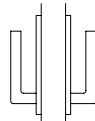
Passage (L61/L71/L461/L471)

Both levers always unlocked.



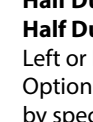
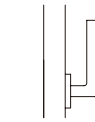
Privacy (L62/L72/L462/L472)

Push privacy pin from inside to lock door.
Unlock latch by turning inside lever or by emergency release from hole on outside rose cover.



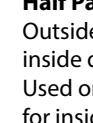
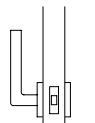
Full Dummy - LA,SF MDP (Higher Lever Position)

Both levers are inactive.



Half Dummy Left (DL) or Half Dummy Right (DR)

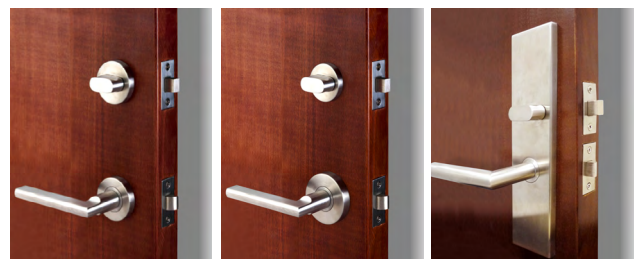
Left or Right levers are always inactive.
Optional working dummies available by specifying "WORKING".



Half Passage (L65/L75/L465/L475)

Outside lever always unlocked, inside dummy rose.
Used on pantry/closet without space for inside lever.

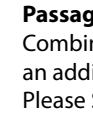
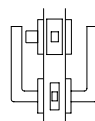
*Do NOT use this function on pantry/or closet that could lock a person or pet inside.



GT Privacy Set

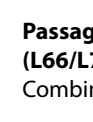
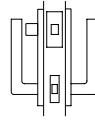
RA w/ GR Privacy Set

SF Privacy Set



Passage with Privacy Bolt- RA,SE,GT,GS

Combination of a passage set with an additional Privacy Bolt ordered separately. Please See Page 8 for Privacy Bolt details.



Passage with Privacy Bolt- LA,SF (L66/L76/L466/L476)

Combination of a passage set with privacy bolt.

Tubular Entry Set

**Application**

For residential entry doors application.

Material

Stainless Steel Levers and Escutcheons

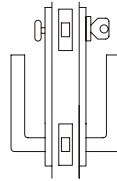
Finish

- Satin Stainless Steel
US32D/630
- Bright Polished Stainless Steel
US32/629
- Two-tone Stainless Steel
SP(Satin on Lever Grip; Polished on Lever
Neck and Roses)
- Oil Rubbed Bronze on Stainless Steel
10B/613

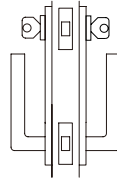
*See page 3 for finish availability.

Specification

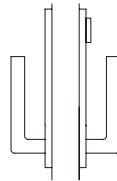
- Door Thickness: 1-3/8" (35mm) to 1-3/4" (44mm)
Thick Door Kits Available
- Backset: 2-3/8" (60mm) standard
2-3/4" (70mm) optional
- Center Distance: 5-1/2" (140mm)
- Handing: Specify handing for all functions.
Latchbolt is field reversible.
- Hub and Spindle: 5/16 (8mm) square
- Latch Faceplate: 1"x2-1/4" standard square corner
- Latch Strike:
Full lip strike and T-strike with square corners.
Radius corner faceplate and strike, or ASA Strike also
available. Order separately.
- Schlage C Keyway 5-pin Cylinder, 2 keys included.
Keying service available.
- Leverset Thru-bolts: M4x35mm
- Deadbolt Thru-bolts: 2 EA M5x50mm for Single Cylinder
2 EA M5x70mm for Double Cylinder

Functions**Entry w/ Single Cylinder (C63/C73/C463/C473)**

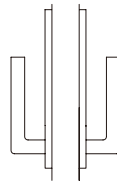
Deadbolt is locked or unlocked by key or thumb-turn inside. When deadbolt is unlocked, both levers operate latch like a passage set. Deadbolt and latch are not interconnected.

**Entry w/ Double Cylinder (C64/C74/C464/C474)**

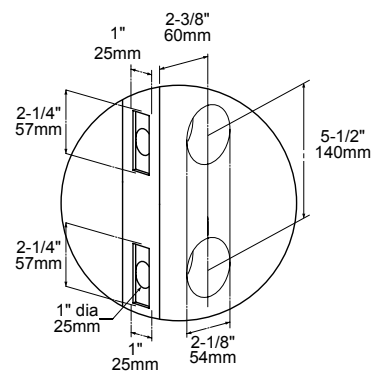
Deadbolt is locked or unlocked by key. When deadbolt is unlocked, both levers operate latch like a passage set. Deadbolt and latch are not interconnected.

**Dummy Entry (EDP) (Lower Lever Position)**

Both levers are inactive. Dummy cylinder is inactive.

**Dummy Pair (DP) (Lower Lever Position)**

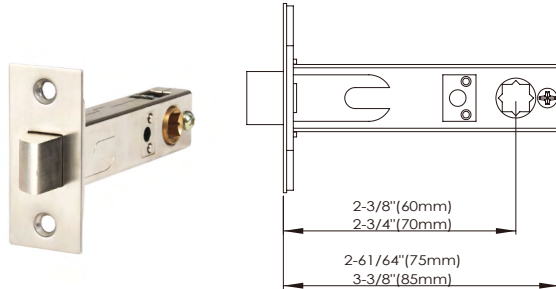
Both levers are inactive.

Door Preparation

Please go to: www.inoxproducts.com/resources
for the latest door preparation templates and installation instructions.

Tubular Latch

TL2- Residential Grade

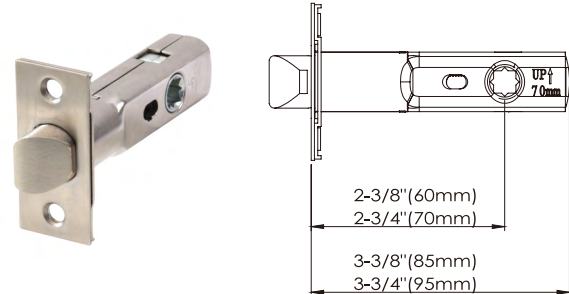


45 Degree Latch Retraction
 Backset: 2-3/8" (60mm), 2-3/4" (70mm)
 Function: Passage, Privacy, Dummy
 Faceplate: 1"x2-1/4"

Backset	Function	Item No.
2-3/8" (60mm)	Passage	TL261
2-3/8" (60mm)	Privacy	TL262
2-3/4" (70mm)	Passage	TL271
2-3/4" (70mm)	Privacy	TL272
2-3/8" (60mm)	Dummy	TL260
2-3/4" (70mm)	Dummy	TL270

Tubular Latch

TL4 – Commercial Grade (BHMA/ANSI156.2 Grade 2)

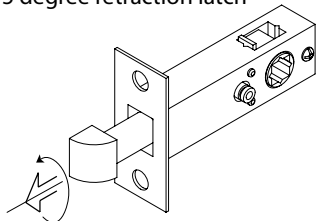


28 Degree Latch Retraction
 Backset: 2-3/8" (60mm), 2-3/4" (70mm)
 Function: Passage, Privacy
 Faceplate: 1"x2-1/4"

Backset	Function	Item No.
2-3/8" (60mm)	Passage	TL461
2-3/8" (60mm)	Privacy	TL462
2-3/4" (70mm)	Passage	TL471
2-3/4" (70mm)	Privacy	TL472

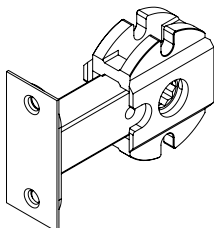
Change Latch Bolt Direction For TL2 Latch

TL2 Latch
 45 degree retraction latch



Take out the latch and turn 180°

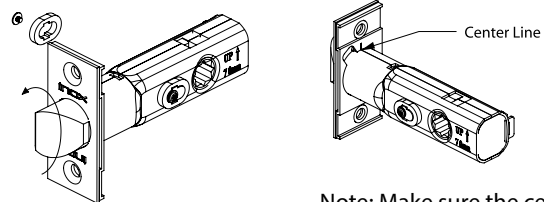
Dummy Latch Kit for Pre-Drill Doors



Backset	Function	Item No.
2-3/8" (60mm)	Dummy Kit	PPD-RSL6
2-3/4" (70mm)	Dummy Kit	PPD-RSL7

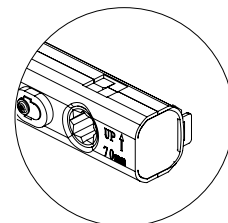
Change Latch Bolt Direction For TL4 Latch

TL4 Latch
 28 degree retraction latch



Determine door handing for latch and remove INSIDE washer (privacy pin side). Change the latch direction 180° with the faceplate together .
 Note: Be sure to install the latch with faceplate attached to the latch body.

Note: Make sure the center line on the back of the faceplate meets the center seam of the latch case.

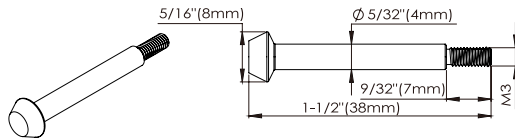


Note: Make sure the latch has the Arrow facing up.

Privacy Pin

All privacy latches come with M4 Privacy Pin and Emergency Release Key

M4 Privacy Pin



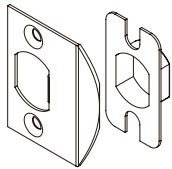
Emergency Release Key



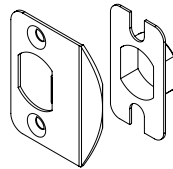
Strikes

All latches come with both T-Strike and Full-lip Strike with square corners. Full-lip Strike with Radius Corner and ASA Strike can be ordered separately.

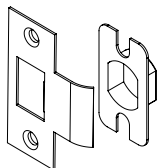
Full-lip Strike
LSR-D1
1-3/4" x 2-1/4"



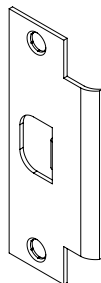
Full-lip Strike 1/4" Corner
LSR-D14
1-3/4" x 2-1/4"



T-Strike
LSR-T1
1-1/8" x 2-3/4"
w/lip 1-1/2" x 1/2"



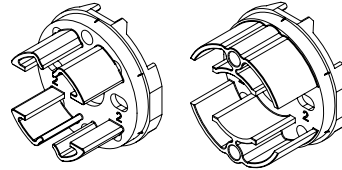
ASA Strike (ANSI Standard)
LSR-ASA
1-1/4" x 4-7/8"



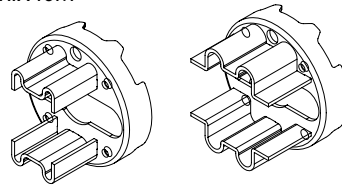
Latch Bracket/ Stabilizer

For 1-3/8" and 1-3/4" Door Thickness

TL2 Latch Bracket (For RA/SE/LA/SF)
BRIX22F & BRIX22M



TL4 Latch Bracket (For RA/SE/LA/SF)
BRIX40F & BRIX40M



Pre-Rose Lever Designs

Certain lever designs have non-release rose cover where additional special allen wrench and hexagon bolts are provided. Designs include: 106 Copenhagen, 214 Champagne, 251 Sequoia, 344 Ecco, 379 Arctic, 380 Polaris, 243 Sunrise

Ways to install leverset with non-release rose cover



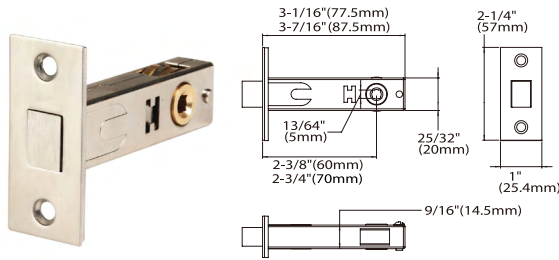
Use allen wrench in between rose cover and under-construction.

Use allen wrench to go through rose cover center cut out

Use a phillips screwdriver to go through rose cover center cut out

* keep the protective film on the lever while mounting the fixings

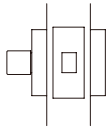
Privacy Bolt



- Door Thickness: 1-3/8" (35mm) to 1-3/4" (44mm)
- Backset: 2-3/8" (60mm) or 2-3/4" (70mm)
- Privacy Bolt: 1/2" (12.7mm) throw
- Privacy Bolt Spindle: 3/16" (5mm) square
- Standard Faceplate: 1" x 2-1/4" Square Corners
- Strike: 1" x 2-1/4" Square Corner

Backset	Item No.
2-3/8"	PB162
2-3/4"	PB172

Functions



Privacy Deadbolt
Deadbolt locked and unlocked by inside thumb-turn or outside emergency release

Item No.	Description
GT04PB62W	Privacy Bolt with GT Rose, 04 T-turn, 2-3/8" Backset, With Indicator
GT04PB72W	Privacy Bolt with GT Rose, 04 T-turn, 2-3/4" Backset, With Indicator
GT04PB62	Privacy Bolt with GT Rose, 04 T-turn, 2-3/8" Backset
GT04PB72	Privacy Bolt with GT Rose, 04 T-turn, 2-3/4" Backset

Item No.	Description
GS04PB62W	Privacy Bolt with GS Rose, 04 T-turn, 2-3/8" Backset, With Indicator
GS04PB72W	Privacy Bolt with GS Rose, 04 T-turn, 2-3/4" Backset, With Indicator
GS04PB62	Privacy Bolt with GS Rose, 04 T-turn, 2-3/8" Backset
GS04PB72	Privacy Bolt with GS Rose, 04 T-turn, 2-3/4" Backset

Item No.	Description
GR04PB62	Privacy Bolt with GR Rose, 04 T-turn, 2-3/8" Backset
GR04PB72	Privacy Bolt with GR Rose, 04 T-turn, 2-3/4" Backset
SR04PB62	Privacy Bolt with SR Rose, 04 T-turn, 2-3/8" Backset
SR04PB72	Privacy Bolt with SR Rose, 04 T-turn, 2-3/4" Backset



Rose Options with T-turn & Release



GT Rose T-Turn Side GT Rose Release only GT Rose Release w/Indicator



GS Rose T-Turn Side GS Rose Release only GS Rose Release w/Indicator

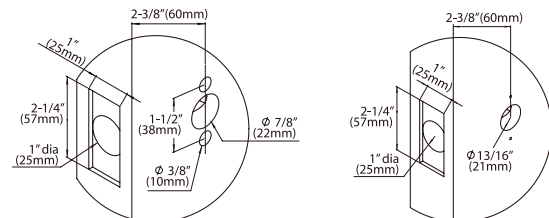


GR Rose T-Turn Side GR Rose Release Side



SR Rose T-Turn Side SR Rose Release Side

Door Preparation

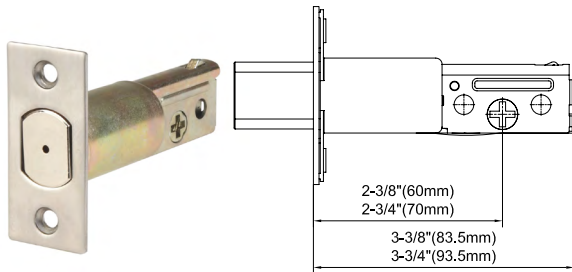


GT/GS Prep

GR/SR Prep

Please go to: www.inoxproducts.com/resources for the latest door preparation template and installation instructions.

Deadbolt

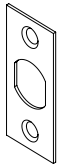


Backset: 2-3/8" (60mm), 2-3/4" (70mm)
 Deadbolt: 1" (25mm) throw with anti-drill pin
 Function: Suitable for entry door or doors needing to be locked
 Faceplate: 2-1/4" x 1"
 Cylinder & Keys: 5-pin Schlage C keyway cylinder with 2 keys

Backset	Item No.
2-3/8"	BT160
2-3/4"	BT170

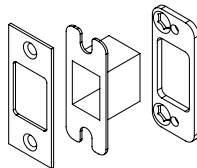
Deadbolt Strike and Faceplate

Deadbolt Faceplate



BT1-FSP

Deadbolt Strike w/
 reinforcement plate
 and dustbox

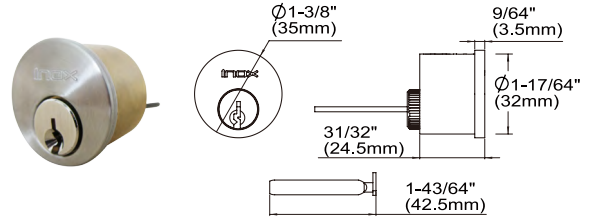


LSR-BT1

Rim Cylinders

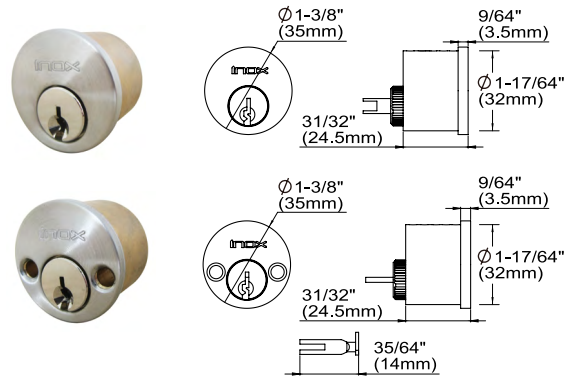
Schlage C Keyway, 5 Pin, with Tailpiece, 2 Keys.
 Standard Keyed Different (KD).
 Other Keying Services Available.

Single Cylinder
 CRB105



Double Cylinder

CRB105F & CRB105HF



Dummy Cylinder

CRA10D

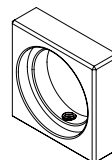


Cylinder Escutcheon

EC-R460COL



EC-S420COL



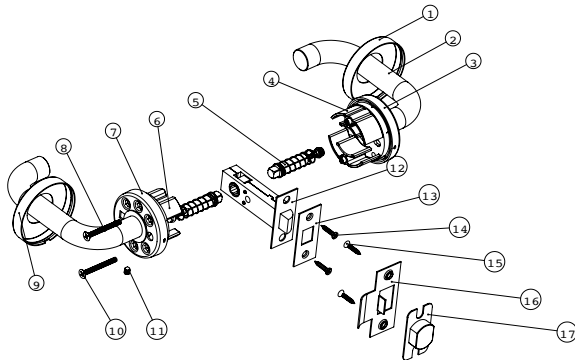
Thumb-turn

TT-04C



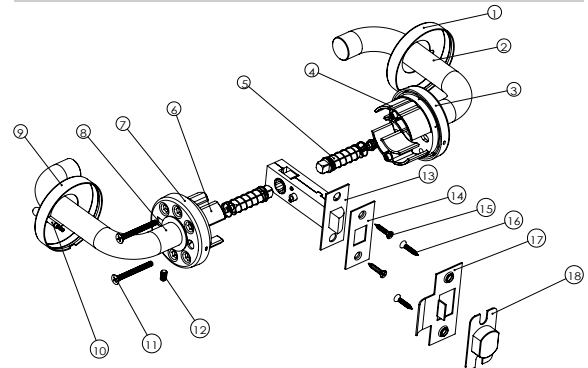
Tubular Latch Set

Exploded Diagram (RA Passage)



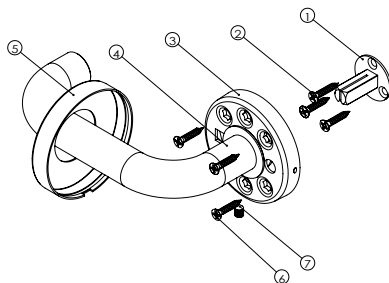
1. Outside Rose Cover
2. Outside Lever
3. Outside Sub-rose w/Bolt Sleeve
4. Outside Latch Bracket
5. Spindle 8mm Square
6. Inside Latch Bracket
7. Inside Sub-rose
8. Inside Lever
9. Inside Rose Cover
10. Thru-Bolts
11. Set Screw for Lever
12. Tubular Latch-TL2 Passage
13. Tubular Latch Faceplate
14. Tubular Latch Faceplate Screws
15. Tubular Latch Strike Screws
16. Tubular Latch Strike
17. Tubular Latch Dust Box

Exploded Diagram (RA Privacy)



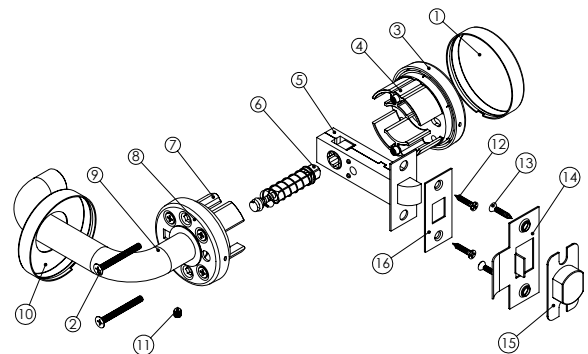
1. Outside Rose Cover
2. Outside Lever
3. Outside Sub-rose w/Bolt Sleeve
4. Outside Latch Bracket
5. Spindle 8mm Square
6. Inside Latch Bracket
7. Inside Sub-rose
8. Inside Lever
9. Inside Rose Cover
10. Privacy Pin
11. Thru-bolts
12. Set Screw for Lever
13. Tubular Latch-TL2 Privacy
14. Tubular Latch Faceplate
15. Tubular Latch Faceplate Screws
16. Tubular Latch Strike Screws
17. Tubular Latch Strike
18. Tubular Latch Dust Box

Exploded Diagram (RA Half Dummy)

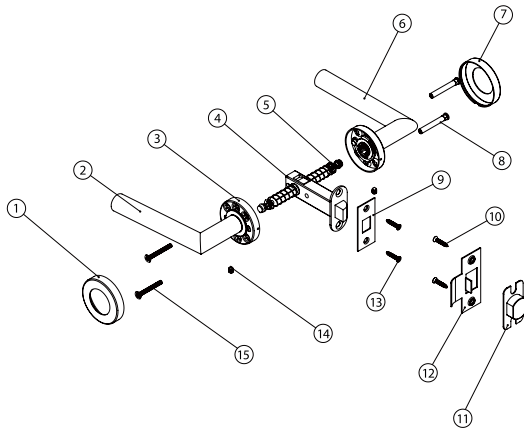


1. Dummy Spindle
2. Wood Screws
3. Sub-rose
4. Lever
5. Rose Cover
6. Wood Screws
7. Set Screw for Lever

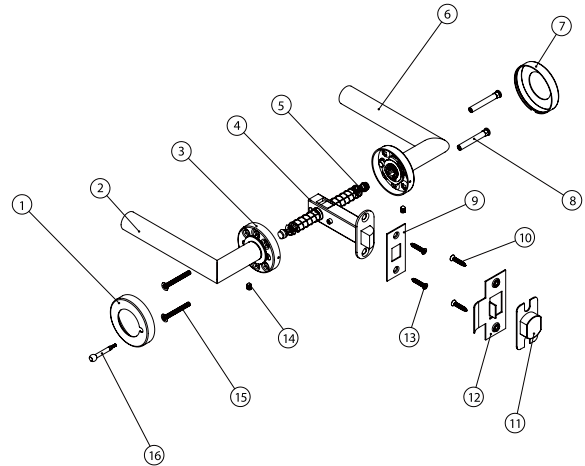
Exploded Diagram (RA Half Passage)



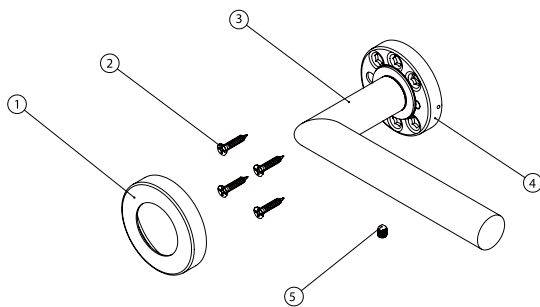
- | | |
|------------------------------|------------------------------------|
| 1. Inside Blind Rose Cover | 9. Outside Lever |
| 2. Thru-bolts | 10. Outside Rose Cover |
| 3. Inside Sub-rose | 11. Set Screw for Lever |
| 4. Inside Latch Bracket | 12. Tubular Latch Faceplate Screws |
| 5. Tubular Latch-TL2 Passage | 13. Tubular Latch Strike Screws |
| 6. Spindle 8mm Square | 14. Tubular Latch Strike |
| 7. Outside Latch Bracket | 15. Tubular Latch Dust Box |
| 8. Outside Sub-rose | 16. Tubular Latch Faceplate |

Tubular Latch Set
Exploded Diagram (GT Passage)


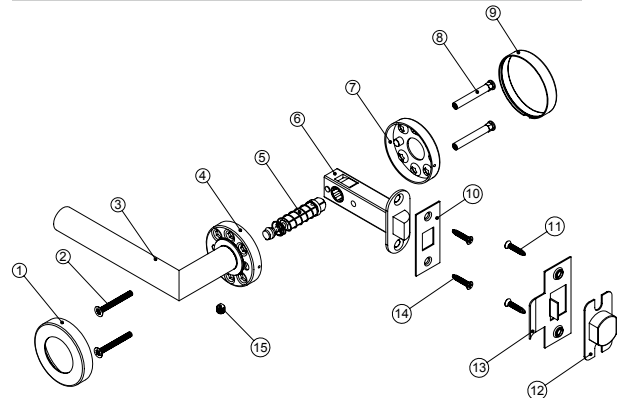
1. Inside Rose Cover
2. Inside Lever
3. Inside Sub-rose
4. Tubular Latch-TL2 Passage
5. Spindle 8mm Square
6. Outside Lever
7. Outside Rose Cover
8. Bolt Sleeves
9. Tubular Latch Faceplate
10. Tubular Latch Strike Screws
11. Tubular Latch Dust Box
12. Tubular Latch Strike
13. Tubular Latch Faceplate Screws
14. Set Screw for Lever
15. Thru-Bolts

Exploded Diagram (GT Privacy)


1. Inside Rose Cover
2. Inside Lever
3. Inside Sub-rose
4. Tubular Latch-TL2 Privacy
5. Spindle 8mm Square
6. Outside Lever
7. Outside Rose Cover
8. Bolt Sleeves
9. Tubular Latch Faceplate
10. Tubular Latch Strike Screws
11. Tubular Latch Dust Box
12. Tubular Latch Strike
13. Tubular Latch Strike Screws
14. Set Screw for Lever
15. Thru-Bolts
16. Privacy Pin

Exploded Diagram (GT Half Dummy)


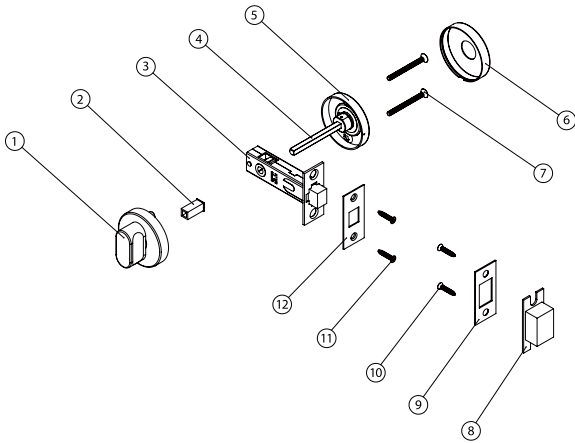
1. Rose Cover
2. Wood Screws
3. Lever
4. Sub rose
5. Set screw for lever

Exploded Diagram (GT Half Passage)


1. Outside Rose Cover
2. Bolt Sleeves
3. Thru-bolts
4. Outside Sub-rose
5. Spindle 8mm Square
6. Tubular Latch-TL2 Passage
7. Inside Sub-rose
8. Outside Lever
9. Inside Blind Rose Cover
10. Tubular Latch Faceplate
11. Tubular Latch Strike Screws
12. Tubular Latch Dust Box
13. Tubular Latch Strike
14. Tubular Latch Faceplate Screws
15. Set Screw for Lever

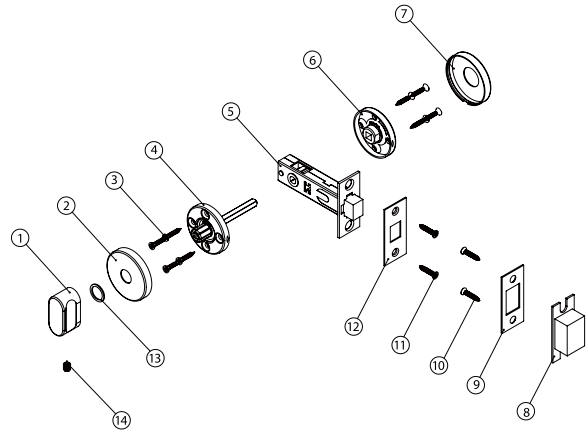
Tubular Latch Set

Exploded Diagram (GT Privacy Bolt)



1. Inside Rose with Thumb-turn
2. Spindle Sleeve
3. Privacy Bolt
4. Spindle 5mm Square
5. Privacy Release Sub-rose
6. Privacy Rose Cover
7. Thru-Bolts
8. Privacy Bolt Dust Box
9. Privacy Bolt Strike
10. Privacy Bolt Strike Screws
11. Privacy Bolt Faceplate Screws
12. Faceplate of Privacy Bolt

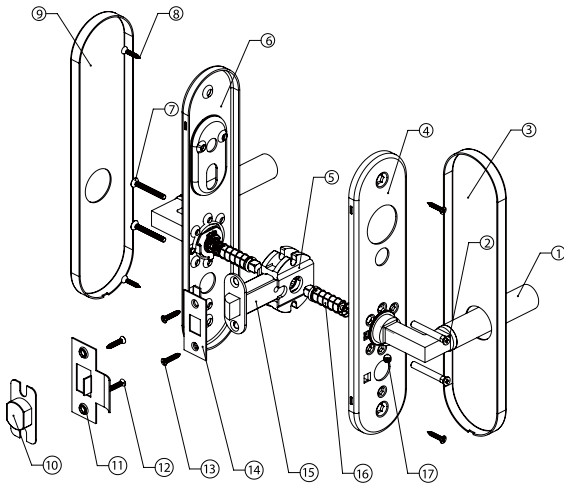
Exploded Diagram (GR Privacy Bolt)



1. Thumb-turn
2. Privacy Rose Cover
3. Wood Screws
4. Inside Less Cover
5. Privacy Bolt
6. Outside Sub Cover with release
7. Outside Rose Cover
8. Privacy Bolt Dust Box
9. Privacy Bolt Strike
10. Privacy Bolt Strike Screws
11. Privacy Bolt Faceplate Screws
12. Faceplate of Privacy Bolt
13. Thumb-turn Washer
14. Set Screw for Thumb-turn

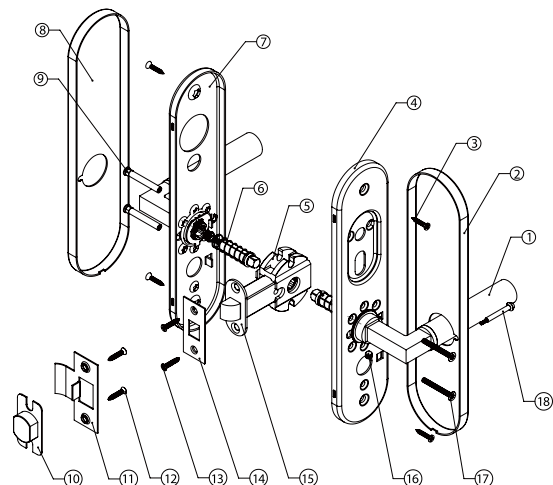
Tubular Latch Set

Exploded Diagram (LA Passage)



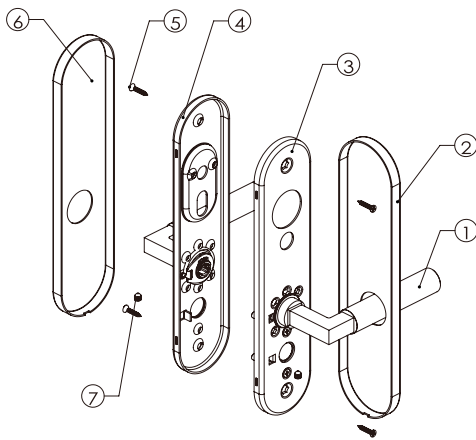
- | | |
|------------------------|------------------------------------|
| 1. Outside Lever | 10. Tubular Latch Dust Box |
| 2. Bolt Sleeves | 11. Tubular Latch Strike |
| 3. Outside Cover Plate | 12. Tubular Latch Strike Screws |
| 4. Outside Sub-plate | 13. Tubular Latch Faceplate Screws |
| 5. Latch Bracket | 14. Tubular Latch Faceplate |
| 6. Inside Sub-plate | 15. Tubular Latch-TL2 Passage |
| 7. Thru-Bolts | 16. Lever Spindle 8mm Square |
| 8. Wood Screws | 17. Set Screw for Lever |
| 9. Inside Cover Plate | |

Exploded Diagram (LA Privacy)



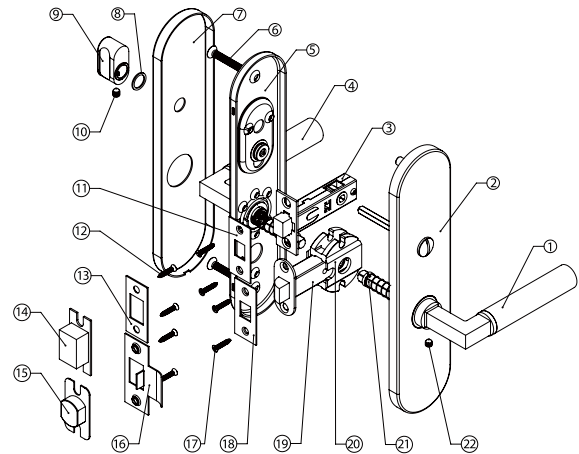
- | | |
|-----------------------------|------------------------------------|
| 1. Inside Lever | 10. Tubular Latch Dust Box |
| 2. Inside Cover Plate | 11. Tubular Latch Strike |
| 3. Wood Screws | 12. Tubular Latch Strike Screws |
| 4. Inside Sub-plate | 13. Tubular Latch Faceplate Screws |
| 5. Latch Bracket | 14. Tubular Latch Faceplate |
| 6. Lever Spindle 8mm Square | 15. Tubular Latch-TL2 Privacy |
| 7. Outside Sub-plate | 16. Set Screw for Lever |
| 8. Outside Cover Plate | 17. Thru-Bolts |
| 9. Bolt Sleeves | 18. Privacy Pin |

Exploded Diagram (LA Dummy)



- | |
|------------------------|
| 1. Outside Lever |
| 2. Outside Cover Plate |
| 3. Outside Sub-plate |
| 4. Inside Sub-plate |
| 5. Wood Screws |
| 6. Inside Cover Plate |
| 7. Set Screw for Lever |

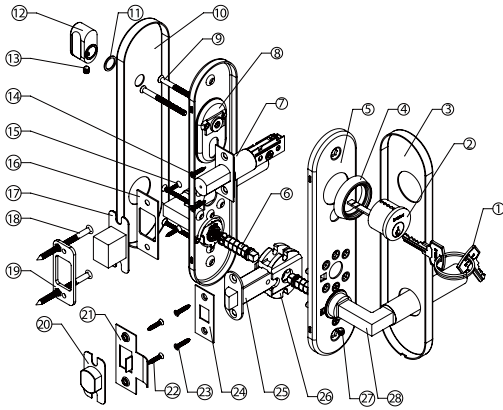
Exploded Diagram (LA Passage with Privacy Bolt)



- | | |
|--------------------------------------|--------------------------------|
| 1. Outside Lever | 12. Strike Screws |
| 2. Outside Cover Plate With Sub-rose | 13. Privacy Bolt Strike |
| 3. Privacy Bolt | 14. Privacy Bolt Dust box |
| 4. Inside Lever | 15. Tubular Latch Dust Box |
| 5. Inside Sub-plate | 16. Tubular Latch Strike |
| 6. Thru-Bolts for Sub-plate | 17. Faceplate Screws |
| 7. Inside Cover Plate | 18. Faceplate of Tubular Latch |
| 8. Thumb-turn Washer | 19. Tubular Latch-TL2 Passage |
| 9. Thumb-turn | 20. Latch Bracket |
| 10. Set Screw for Thumb-turn | 21. Lever Spindle 8mm Square |
| 11. Faceplate of Privacy Bolt | 22. Set Screw for Lever |

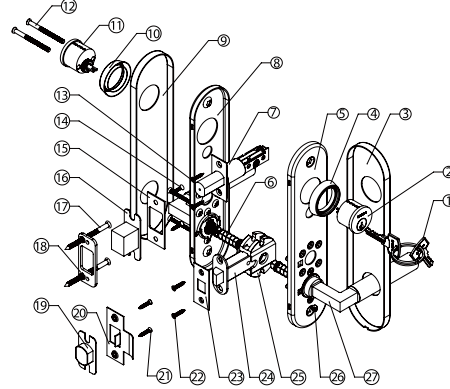
Tubular Entry Set

Exploded Diagram (LA Entry with Single Cylinder)



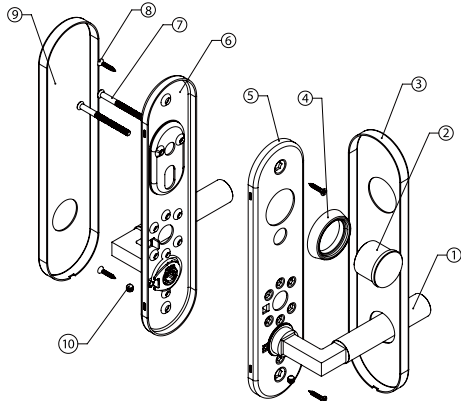
- | | |
|--------------------------------------|---|
| 1. Keys | 17. Deadbolt Dust Box |
| 2. Outside Rim Cylinder w/ Tailpiece | 18. Deadbolt Reinforcement Plate Screws |
| 3. Outside Cover Plate | 19. Deadbolt Reinforcement Plate |
| 4. Outside Cylinder Escutcheon | 20. Tubular Latch Dust Box |
| 5. Outside Sub-plate | 21. Tubular Latch Strike |
| 6. Lever Spindle 8mm Square | 22. Tubular Latch Strike Screws |
| 7. Deadbolt | 23. Tubular Latch Faceplate Screws |
| 8. Inside Sub-plate | 24. Tubular Latch Faceplate |
| 9. Cylinder Thru-bolts | 25. Tubular Latch-TL2 Passage |
| 10. Inside Cover Plate | 26. Latch Bracket |
| 11. Thumb-turn Washer | 27. Set Screw for Lever |
| 12. Thumb-turn | 28. Outside Lever |
| 13. Set Screw for Thumb-turn | |
| 14. Deadbolt Faceplate Screws | |
| 15. Deadbolt Strike Screws | |
| 16. Deadbolt Strike | |

Exploded Diagram (LA Entry with Double Cylinder)



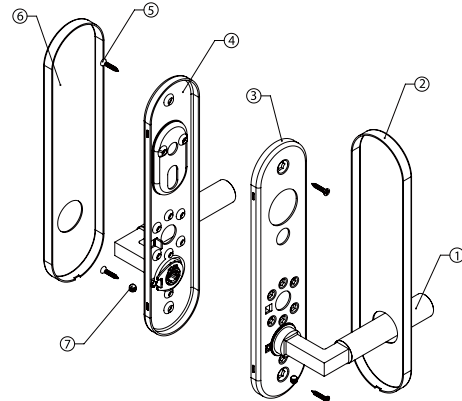
- | | |
|--------------------------------------|---|
| 1. Keys | 15. Deadbolt Strike |
| 2. Outside Rim Cylinder w/ Tailpiece | 16. Deadbolt Dust Box |
| 3. Outside Cover Plate | 17. Deadbolt Reinforcement Plate Screws |
| 4. Outside Cylinder Escutcheon | 18. Deadbolt Reinforcement Plate |
| 5. Outside Sub-plate | 19. Tubular Latch Dust Box |
| 6. Lever Spindle 8mm Square | 20. Tubular Latch Strike |
| 7. Deadbolt | 21. Tubular Latch Strike Screws |
| 8. Inside Sub-plate | 22. Tubular Latch Faceplate Screws |
| 9. Inside Cover Plate | 23. Tubular Latch Faceplate |
| 10. Inside Cylinder Escutcheon | 24. Tubular Latch-TL2 Passage |
| 11. Inside Rim Cylinder w/ Tailpiece | 25. Latch Bracket |
| 12. Cylinder Thru-bolts | 26. Set Screw for Lever |
| 13. Deadbolt Faceplate Screws | 27. Outside Lever |
| 14. Deadbolt Strike Screws | |

Exploded Diagram (LA Dummy Entry)



- | | |
|--------------------------------|-------------------------|
| 1. Outside Lever | 6. Inside Sub-plate |
| 2. Outside Blind Cylinder | 7. Cylinder Thro-bolts |
| 3. Outside Cover Plate | 8. Wood Screws |
| 4. Outside Cylinder Escutcheon | 9. Inside Cover Plate |
| 5. Outside Sub-plate | 10. Set Screw for Lever |

Exploded Diagram (LA Dummy Pair)



- | | |
|------------------------|------------------------|
| 1. Outside Lever | 5. Wood Screws |
| 2. Outside Cover Plate | 6. Inside Cover Plate |
| 3. Outside Sub-plate | 7. Set Screw for Lever |
| 4. Inside Sub-plate | |

Care and Maintenance

Lever and Knob Handles

On installations where the correct procedures have been carried out per the instructions, the lever handles will not require adjustment. However, all fixings should be checked for tightness annually. Any loose fixings should be adjusted. Badly fitted furniture can cause interference with the operation of the lock and at the same time, damage the surface of the furniture. INOX™ snap-on rose covers should only be removed using proper tools. A screw driver blade should never be used as this can distort the rose cap out of alignment and scratch the surfaces of both product and door.

Care of Finishes

Today's environment exerts immense pressures on product material requirements. Products must withstand a diversification of atmospheric conditions, such as high pollution, marine locations, and high humidity climates. Additionally, products must be protected against cleaning agents/solutions and ideally the product should offer hypo-allergenic properties.

Stainless Steel

Stainless steel is renowned for the following two properties; resistance to corrosion and low maintenance requirements. Stainless steel corrosion resistance is attributable to the presence of a thin, durable film of passive, but stable, chromium oxide. Being inert, invisible, extremely adherent and self-repairing, this film provides an unrivalled protection for the steel; should the film be damaged or removed it will regenerate independently, provided that oxygen is present to allow the reaction to occur with the chromium content of the steel. Therefore you must ensure regular cleaning and maintenance, to restore the original surface appearance, prevent corrosion and maintain hygienic conditions.

Cleaning Technique

It is important to clean stainless steel regularly.

- Initially, wash down the surface using soapy water or a mild detergent.
- Always thoroughly rinse the cleaning agent away with clean, warm water.
- To complete the cleaning procedure, dry/polish the item with a soft, dry cloth.

Note: Within aggressive conditions, such as offshore, marine and swimming pool environments, it is especially relevant to ensure that cleaning maintenance occurs regularly.

Discoloration

If spots appear on the surface it is not due to the stainless steel, but to impurities in the water, the air or to cleaning agents that have not been thoroughly removed from the surface.

- Spots can be avoided by careful cleaning.
- If discoloration or spots occur they can be removed by using special polishing agents for stainless steel or a light scouring cream.
- Again rinse thoroughly with clean water and polish with a soft, dry cloth.

What to Avoid!

- Scouring powders
- Steel wool
- Strong abrasive materials

Note: Acid based cleaning solutions, except for hydrochloric acid, may be used on AISI 304 stainless steel as long as thoroughly rinsed with clean water afterwards. For further information on stainless steel, please contact your local INOX™ distributor for the INOX™ Stainless Steel Technical Details information sheet.

Product Warranty

Limited Lifetime Warranty

Unison Hardware, Inc. warrants that its INOX™ residential products shall be free from defects in material and workmanship for the life of the product, excluding components made of wood, leather or plastic. This warranty extends to the original purchaser and the first consumer owner only. If a product fails due to defects in material or workmanship during the warranty period we will replace it with the most nearly identical product which we sell at the time or refund the original purchase price. Unison Hardware, Inc. will not be liable for any labor charges or freight costs incurred in connection with repair or replacement of a product. Our sole and maximum liability for defective goods (Sold and manufactured by Unison Hardware, Inc.) shall never exceed the cost of the subject products.

This warranty does not cover:

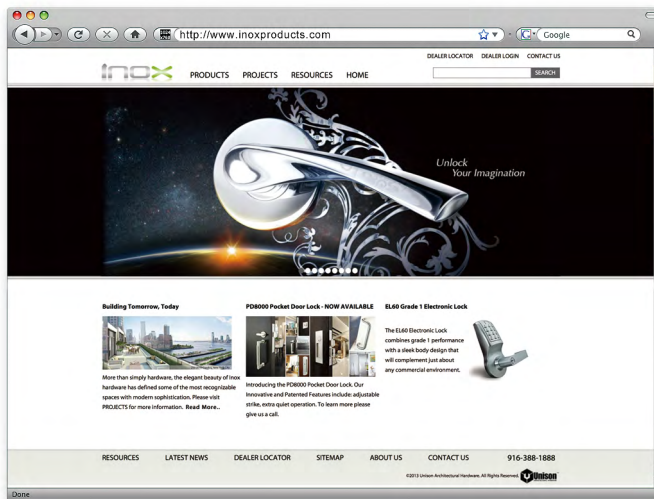
- a. Damage resulting from negligence, misuse, abuse or accident occurring after installation
- b. Damage due to use outside normal architectural requirements
- c. Defects resulting from any modification or improper installations
- d. Improper torquing (tightening) during or after installation
- e. Improper door preparations
- f. Use of residential grade products in commercial applications (i.e. public building, restaurants, offices etc.)
- g. Products installed within three miles of the ocean
- h. Products installed in exterior application and/or exposed to the outdoor weather or elements

Limited Lifetime Finish Warranty

Unison Hardware, Inc. warrants its INOX™ products made of stainless steel material against tarnishing. This warranty is extended to the original purchaser of INOX™ products as long as the User occupies the residential premises on which the Products were originally installed. Not covered under this warranty are:

- a. Products which have been scratched or abraded
- b. Products which have been incorrectly installed or mistreated
- c. Products installed within three miles of water (ocean, lakes, rivers, etc.), harsh environments and/or commercial or industrial applications
- d. Products installed in exterior application and/or exposed to the outdoor weather or elements
- e. Finishes which are specifically designed to wear over time (i.e. Oil Rubbed Bronze finish)

UNISON HARDWARE, INC. MAKES NO OTHER WARRANTY, AND ALL IMPLIED WARRANTIES INCLUDING ANY WARRANTY OF MERCHANTABILITY OR FITNESS FOR A PARTICULAR PURPOSE ARE LIMITED TO THE DURATION OF THE EXPRESSED WARRANTY PERIOD AS SET FORTH ABOVE. THE COMPANY'S MAXIMUM LIABILITY HEREUNDER IS LIMITED TO THE PURCHASE PRICE OF THE PRODUCT. IN NO EVENT SHALL THE COMPANY BE LIABLE FOR ANY CONSEQUENTIAL, INDIRECT, INCIDENTAL OR SPECIAL DAMAGES OF ANY NATURE ARISING FROM THE SALE OR USE OF THIS PRODUCT, WHETHER IN CONTRACT, TORT, STRICT LIABILITY OR OTHERWISE. THIS LIMITED WARRANTY IS IN LIEU OF ALL OTHER WARRANTIES, EXPRESSED OR IMPLIED, INCLUDING THE IMPLIED WARRANTIES OF FITNESS AND MERCHANTABILITY. THERE ARE NO WARRANTIES WHICH EXTEND BEYOND THE DESCRIPTION ON THE FACE HEREOF.



Please visit our website
www.inoxproducts.com
for more technical and new product information.



Unison Hardware, Inc.

6 Wayne Court, Sacramento, CA 95829, USA
Tel: +1.916.388.1888 Fax: +1.916.388.8322
Email: info@unisonhardware.com