

PD8000/PD5000 Series Sliding & Pocket Door Locks



(Edition 2)

PD8000/PD5000 Series



TABLE OF CONTENTS

PD8000/PD5000 Series Mortise Lock	Page 4
How to Order: PD8000 Mortise Locks with Flush Pulls	Page 6
How to Order: PD8000/PD5000 Mortise Locks with Sliding Pulls	Page 7
PD5000 Mortise Locks and Functions	Page 8
PD8000 Mortise Locks and Functions	Page 10
Flush Pull and Finish Options	Page 12
FH27 Linear Flush Pull	Page 13
FH29 Arc Flush Pull	Page 14
FH31 Regal Flush Pull	Page 15
FH32 Crown Flush Pull	Page 16
FH22 Luna Flush Pull	Page 17
FH23 Urban Flush Pull	Page 18
Other Flush Pull Options	Page 19
ADA Compliance	Page 20
ADA Pull Options	Page 21
Surface Pull Options	Page 22

PD8000 & PD5000 Mortise Locks with Flush Pulls for Pocket Doors



PD8000 with FH27 Linear Flush Pull



PD5000 with FH29 Arc Flush Pull



PD5000 with FH22 Luna Flush Pull



PD8000 with FH23 Urban Flush Pull

PD8000 & PD5000 Mortise Locks

with Flush Pulls for Pocket Doors



PD8000 with FH31 Regal Flush Pull



PD5000 with FH32 Crown Flush Pull

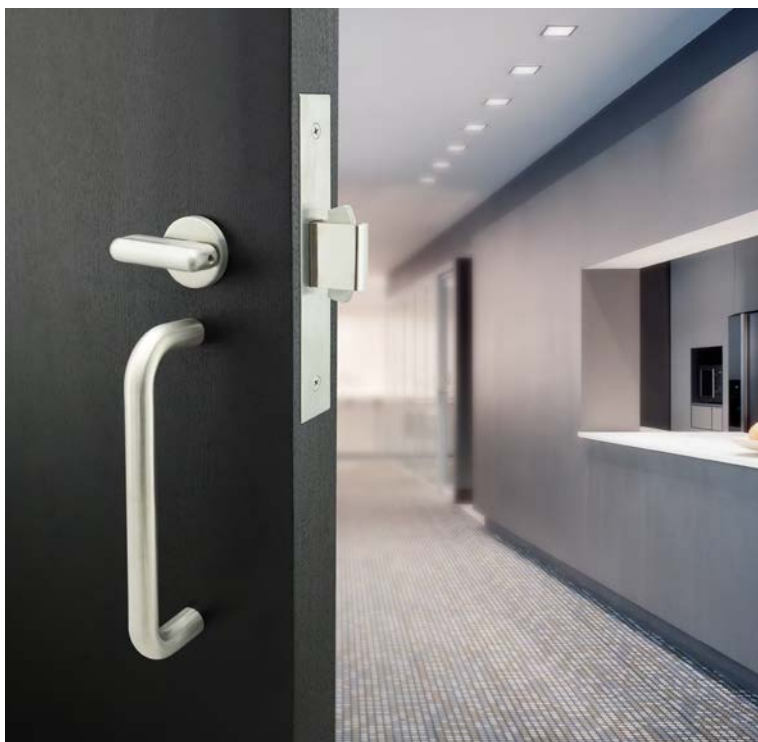
PD8000 & PD5000 Mortise Locks with Surface Pulls for Sliding or Barn Doors



PD8000 with PHIX41714 ADA Pull



PD8000 with PHIX30108 ADA Pull



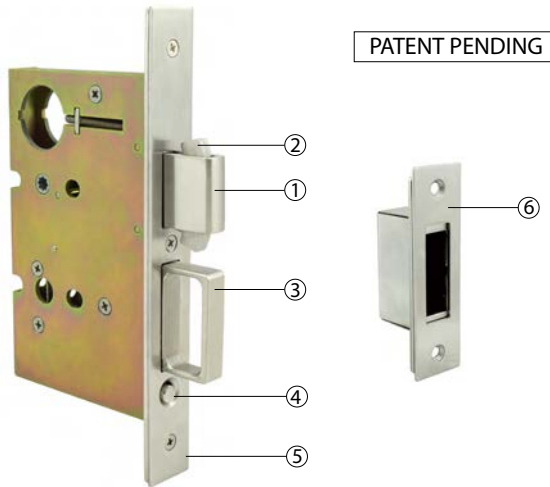
PD5000 with PHIX31108 ADA Pull



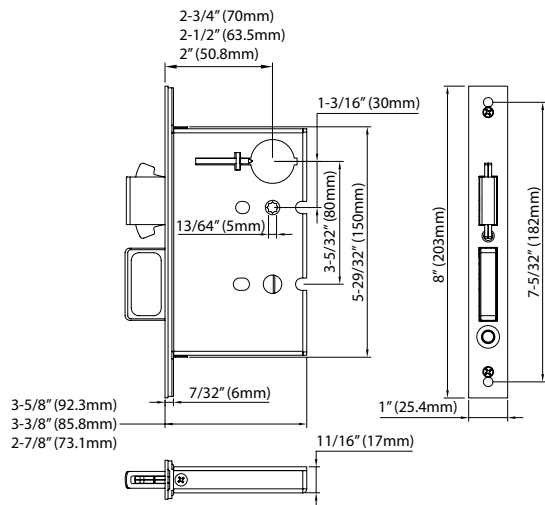
PD5000 with PHIX45714 ADA Pull

PD8000 Series Mortise Lock

PD84 : Lockcase with Deadbolt and Edge Pull

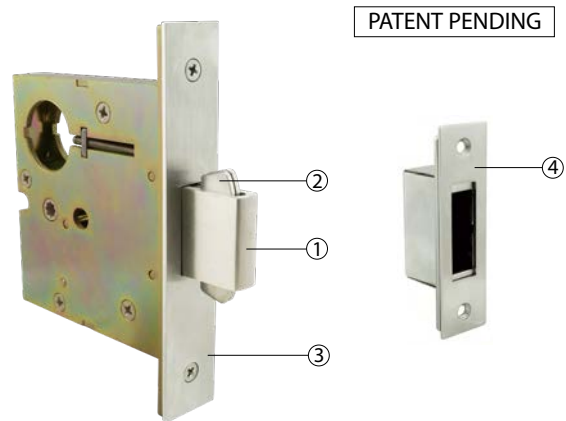


- 1) Brass deadbolt with 1" throw
- 2) Self-retracting hook
- 3) Spring-loaded edge pull with unique internal sound buffer
- 4) Solid brass push button
- 5) Stainless steel or brass faceplate, 2mm thick
- 6) Vertically adjustable strike

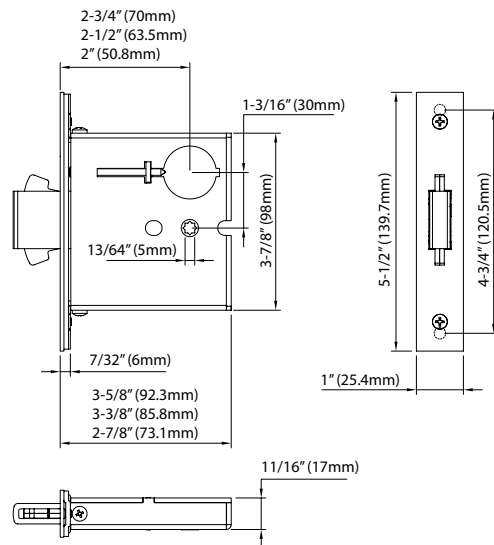


PD5000 Series Mortise Lock

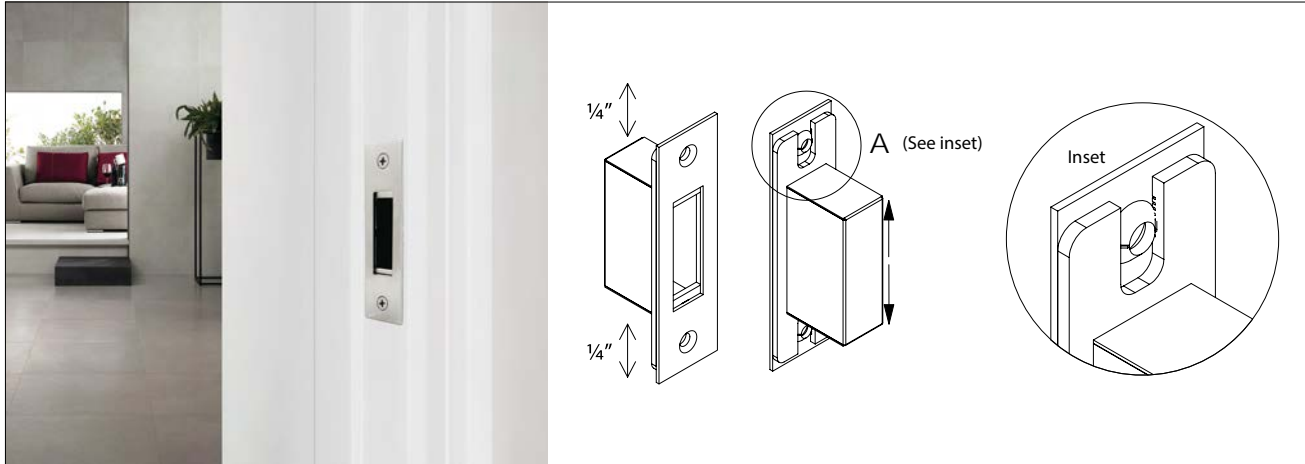
PD53 : Lockcase with Deadbolt, NO Edge Pull



- 1) Brass deadbolt with 1" throw
- 2) Self-retracting hook with non-marring latch bolt
- 3) Stainless steel or brass faceplate, 2mm thick
- 4) Vertically adjustable strike



Vertically Adjustable Strike (Patent Pending)



The INOX® Vertically Adjustable Strike has a distinctive two-piece construction that allows adjustment of the dust box up to ¼" up or down.

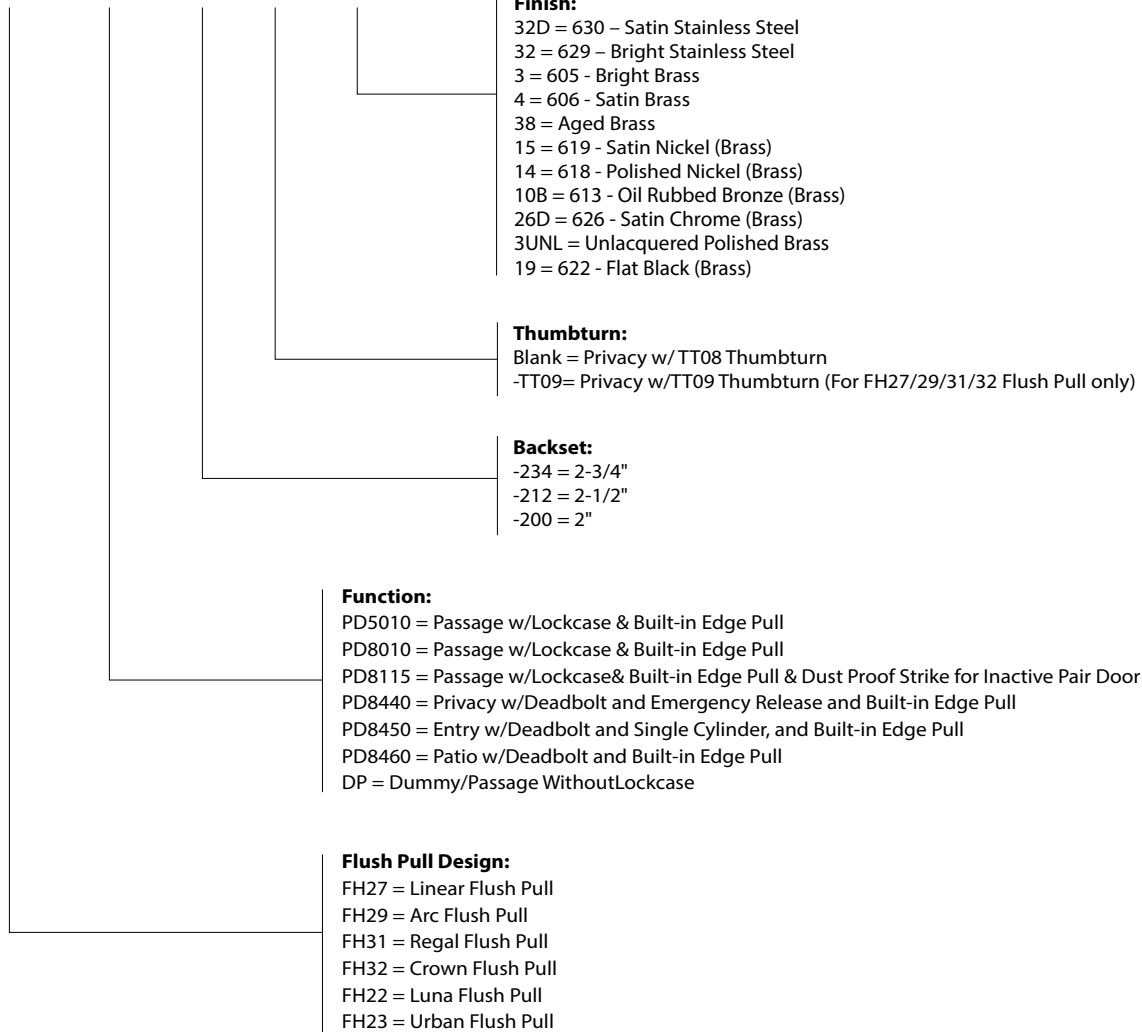
- Can be adjusted before or after installation
- No modification to the door frame necessary for adjustment
- Faceplate remains locked in place while the dust box is adjusted
- Once set, unique slotted system (see image A and inset) holds the dust box and faceplate rigid for smooth door opening and closing
- Ensures perfect fit with easy installation

PD8000/PD5000 Mortise Locks with Flush Pulls for Pocket Door

How to Order

Product Identification

FH27 PD8450 -234 -TT09 -32D



PD8000/PD5000 Mortise Locks with Surface Pulls for Sliding/Barn Doors

How to Order

Product Identification

PHIX311 06 PD8340 -234 -ADA -32D

Finish:

32D = 630 - Satin Stainless Steel
32 = 629 - Bright Stainless Steel

Thumbturn:

Blank = No Thumbturn or Release
GR = TT04 Thumbturn on GR Rose included for Privacy or Entry function
SR = TT04 Thumbturn on SR Rose included for Privacy or Entry function
ADA = TT07 ADA Thumbturn on GR Rose included for Privacy or Entry function

Backset:

-234 = 2-3/4"
-212 = 2-1/2"
-200 = 2"

Function:

PD8215 = PD8000 Series Passage w/Lockcase & Built-in Dust Proof Strike for Inactive Pair Door, NO Edge Pull (ADA*)
PD8340 = PD8000 Series Privacy w/Deadbolt and Emergency Release, NO Edge Pull (ADA*)
PD8350 = PD8000 Series Entry w/Deadbolt and Single Cylinder, NO Edge Pull (ADA*)
PD8360 = PD8000 Series Patio w/Deadbolt, NO Edge Pull (ADA*)
PD5215 = PD5000 Series Passage w/Lockcase & Built-in Dust Proof Strike for Inactive Pair Door, NO Edge Pull (ADA*)
PD5340 = PD5000 Series Privacy w/Deadbolt and Emergency Release, NO Edge Pull (ADA*)
PD5350 = PD5000 Series Entry w/Deadbolt and Single Cylinder, NO Edge Pull (ADA*)
PD5360 = PD5000 Series Patio w/Deadbolt, NO Edge Pull (ADA*)
BTB = Dummy/Passage Without Lockcase

* ADA: Americans with Disabilities Act.

Functions or Lockcases can be used with ADA surface pulls meeting ADA Requirements. (See Pages 20-21 for details.)

Center To Center (CTC):

06 = 6" (For U Shape Pull Only)
08 = 8" (For U Shape Pull and PHIX301 Custom Pull Only)
10 = 10"
12 = 12"
18 = 18"
714 = 7-1/4" (For PHIX41/PHIX45 Custom Pull Only)

Door Pull Designs:

PHIX311 = Dia. 3/4" U Shape Pull
PHIX312 = Dia. 1" U Shape Pull
PHIX313 = Dia. 1-1/4" U Shape Pull
PHIX322 = Dia. 1" D Shape Pull
PHIX323 = Dia. 1-1/4" D Shape Pull
PHIX333 = Dia. 1-1/4" T Shape Pull 90°
PHIX343 = Dia. 1-1/4" T Shape Pull 45°
PHIX353 = Dia. 1-1/4" C Shape Pull
PHIX363 = Dia. 1-1/4" V Shape Pull
PHIX301 = Custom Pull
PHIX41 = Custom Pull
PHIX45 = Custom Pull

PD5000 Sliding/Pocket Door Lock



Sliding/Barn Door*



Pocket Door

Specifications

Standard Door Thickness: 1-3/4"(45mm), Thick door kits available
 Backset: 2-3/4"(70mm), 2-1/2"(64mm), 2"(50mm)
 Handing: Non-Handed
 Thumbturn Spindle: 5x5mm square
 Deadbolt: 1"(25.4mm)
 Cylinder: Schlage C keyway 5 pin mortise cylinder with 2 keys (KD). Other keys available upon request.
 Keying Services available. Order Separately.

Application

For residential or commercial application

Material

Lockcase: Heavy Gauge Steel
 Deadbolt and Edge Pull: Brass and Stainless Steel
 Faceplate and Strike: Stainless Steel or Brass
 Cylinder: Solid Brass

Finish

Standard:

US32D - (630) Satin Stainless Steel*
 US32 - (629) Bright Stainless Steel*
 US4 - (606) Satin Brass
 US38 - Aged Brass
 US15 - (619) Satin Nickel (Brass)
 US14 - (618) Polished Nickel (Brass)
 US10B - (613) Oil Rubbed Bronze (Brass)
 US26D - (626) Satin Chrome (Brass)

Special Order:

US3 - (605) Bright Brass
 US3UNL - Unlacquered Polished Brass
 US7 - (608) French Antique (Brass)
 US19 - (622) Flat Black (Brass)

* US32D and US32 are the only standard finishes for Sliding Barn/Door pulls; others are Special Order

Lock Options



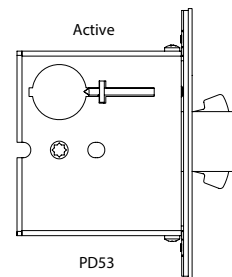
PD53
 Lockcase with Deadbolt,
 NO Edge Pull



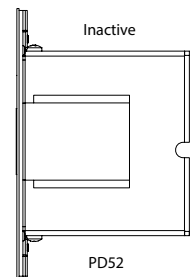
PD52
 Lockcase with Built-in Dust
 Proof Strike for an Inactive
 Pair of Doors, NO Edge Pull



PD50
 Edge Pull only



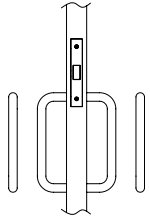
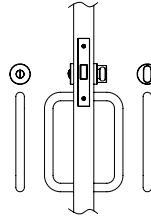
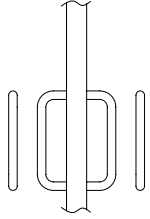
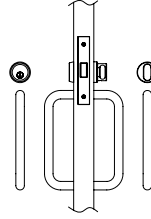

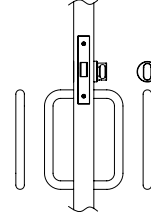
PD53



PD52

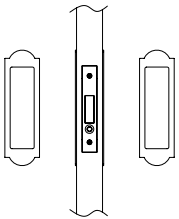
Functions

Sliding/Barn Doors

	<p>PD5215 Passage w/Lockcase as Dust Proof Strike Lockcase used as dust proof strike on pair of doors inactive side.</p>		<p>PD5340 Privacy w/Emergency Release Deadbolt operated by inside Thumbturn or outside emergency release coin turn.</p>
	<p>BTB Dummy/Passage without Lock Case</p>		<p>PD5350 Entry w/Single Cylinder Key outside or Thumbturn inside retracts deadbolt.</p>
			<p>PD5360 Patio Deadbolt operated by Thumbturn from inside only.</p>

Functions

Pocket Doors

	<p>PD5010 Passage w/ Lockcase Used as flush pull or matching trim on pairs of doors. Edge finger pull operated by the push button.</p>
---	---

PD8000 Sliding/Pocket Door Lock



Sliding/Barn Door



Pocket Door

Specifications

Standard Door Thickness: 1-3/4"(45mm), Thick door kits available
 Backset: 2-3/4"(70mm), 2-1/2"(64mm), 2"(50mm)
 Handing: Non-Handed
 Thumbturn Spindle: 5x5mm square
 Deadbolt: 1"(25.4mm)
 Cylinder: Schlage C keyway 5 pin mortise cylinder with 2 keys (KD). Other keys available upon request.
 Keying Services available. Order Separately.

Application

For residential or commercial application

Material

Lockcase: Heavy Gauge Steel
 Deadbolt and Edge Pull: Brass and Stainless Steel
 Faceplate and Strike: Stainless Steel or Brass
 Cylinder: Solid Brass

Finish

Standard:

- US32D - (630) Satin Stainless Steel
- US32 - (629) Bright Stainless Steel
- US4 - (606) Satin Brass
- US38 - Aged Brass
- US15 - (619) Satin Nickel (Brass)
- US14 - (618) Polished Nickel (Brass)
- US10B - (613) Oil Rubbed Bronze (Brass)
- US26D - (626) Satin Chrome (Brass)

Special Order:

- US3 - (605) Bright Brass
- US3UNL - Unlacquered Polished Brass
- US7 - (608) French Antique (Brass)
- US19 - (622) Flat Black (Brass)

Lock Options



PD84
Lockcase with Deadbolt and Edge Pull



PD81
Lockcase with built-in Edge Pull and Dust Proof Strike for inactive pair door



PD83
Lockcase with Deadbolt, NO Edge Pull



PD82
Lockcase with built-in Dust Proof Strike for an inactive pair door, NO Edge Pull

Active PD83

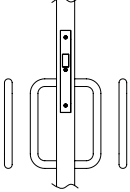
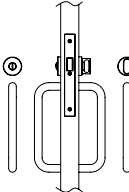
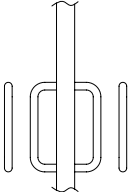
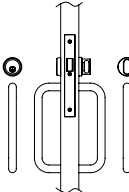
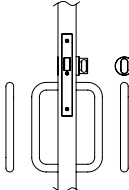
Inactive PD82

Mortise Cylinders and Keys

Schlage C keyway, 5 pin, with clover cam; includes 2 keys, standard Keyed Different (KD). Other keys available upon request. Other keying services available. All keyed functions use 15/16" (24mm) mortise cylinder for standard 1-3/4" (44mm) door. Thick Door Kit available on request.

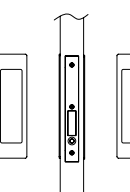
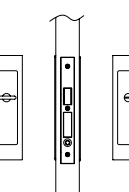
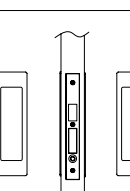
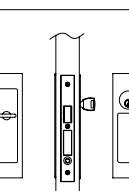
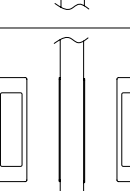
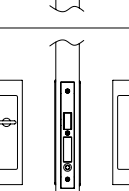
Functions

Sliding / Barn Doors

	<p>PD8215 Passage w/Lockcase as Dust Proof Strike Lockcase used as dust proof strike on pair of doors inactive side.</p>		<p>PD8340 Privacy w/Emergency Release Deadbolt operated by inside Thumbturn or outside emergency release coin turn.</p>
	<p>BTB Dummy/Passage without Lock Case</p>		<p>PD8350 Entry w/Single Cylinder Key outside or Thumbturn inside retracts deadbolt.</p>
			<p>PD8360 Patio Deadbolt operated by Thumbturn from inside only.</p>

Functions

Pocket Doors

	<p>PD8010 Passage w/ Lockcase Used as flush pull or matching trim on pairs of doors. Edge finger pull operated by the push button.</p>		<p>PD8440 Privacy w/ Emergency Release Deadbolt operated by inside thumbturn or outside emergency release coin turn. Edge finger pull operated by the push button.</p>
	<p>PD8115 Passage w/ Lockcase as Dust Proof Strike Lockcase used as dust proof strike on pair of doors inactive side. Edge finger pull operated by the push button.</p>		<p>PD8450 Entry w/ Single Cylinder Key outside or Thumbturn inside retracts deadbolt with hook. Edge finger pull operated by the push button.</p>
	<p>DP Dummy/Passage without Lock Case</p>		<p>PD8460 Patio Deadbolt operated by Thumbturn from inside only. Edge finger pull operated by the push button.</p>

Flush Pull Options



Finish Options



FH27 Linear Flush Pull

For PD8000/PD5000 Sliding & Pocket Door Locks



FH27 w/PD84



FH27 w/PD50

Specifications

Standard Door Thickness: 1-3/4" (45mm), Thick door kits available
 Backset: 2-3/4" (70mm), 2-1/2" (64mm), 2" (50mm)
 Handing: Non-Handed
 Thumbturn Spindle: 5x5mm square
 Deadbolt: 1" (25.4mm)
 Cylinder: Schlage C keyway 5 pin mortise cylinder with 2 keys (KD). Other keys available upon request.
 Keying Services available. Order Separately.

Application

For residential or commercial application

Material

Stainless Steel/Brass

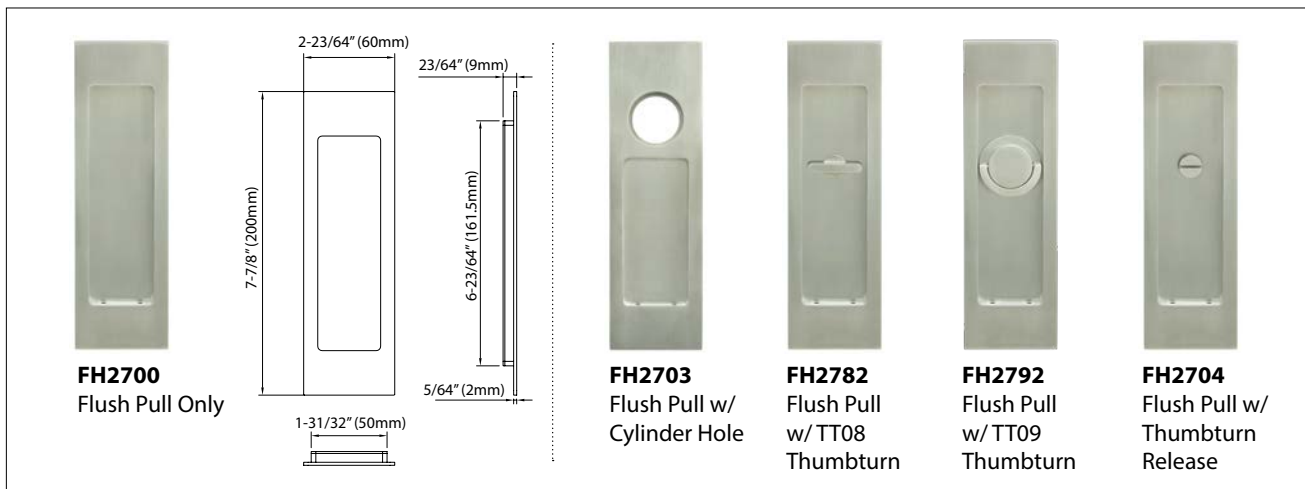
Finish

Standard:

US32D - (630) Satin Stainless Steel
 US32 - (629) Bright Stainless Steel
 US4 - (606) Satin Brass
 US38 - Aged Brass
 US15 - (619) Satin Nickel (Brass)
 US14 - (618) Polished Nickel (Brass)
 US10B - (613) Oil Rubbed Bronze (Brass)
 US26D - (626) Satin Chrome (Brass)

Special Order:

US3 - (605) Bright Brass
 US3UNL - Unlacquered Polished Brass
 US7 - (608) French Antique (Brass)
 US19 - (622) Flat Black (Brass)



FH29 Arc Flush Pull

For PD8000/PD5000 Sliding & Pocket Door Locks



FH29 w/PD84



FH29 w/PD50

Application

For residential or commercial application

Material

Stainless Steel/Brass

Finish

Standard:

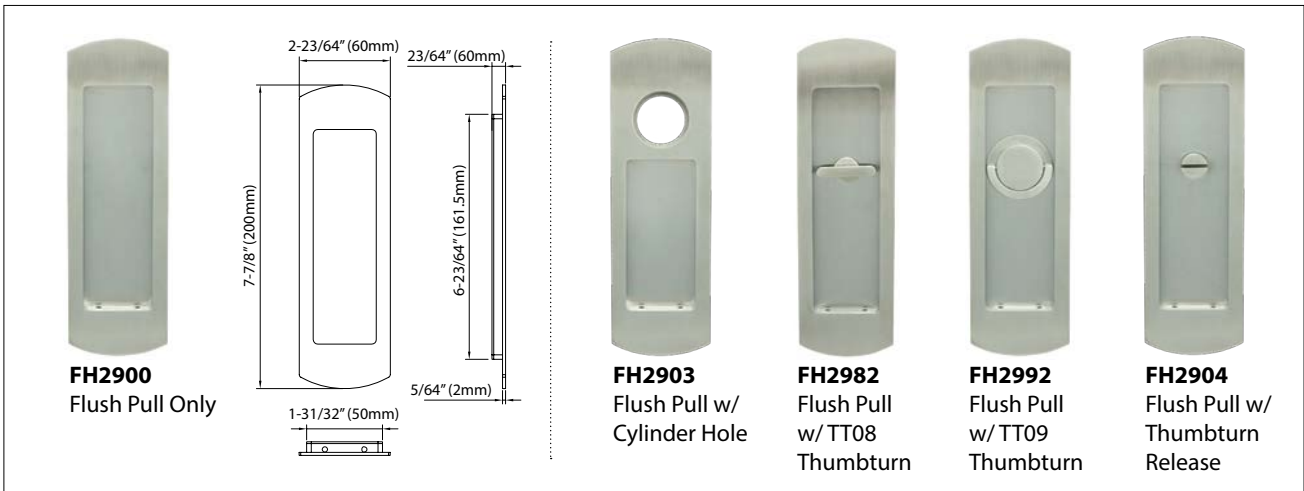
- US32D - (630) Satin Stainless Steel
- US32 - (629) Bright Stainless Steel
- US4 - (606) Satin Brass
- US38 - Aged Brass
- US15 - (619) Satin Nickel (Brass)
- US14 - (618) Polished Nickel (Brass)
- US10B - (613) Oil Rubbed Bronze (Brass)
- US26D - (626) Satin Chrome (Brass)

Special Order:

- US3 - (605) Bright Brass
- US3UNL - Unlacquered Polished Brass
- US7 - (608) French Antique (Brass)
- US19 - (622) Flat Black (Brass)

Specifications

Standard Door Thickness: 1-3/4"(45mm), Thick door kits available
 Backset: 2-3/4"(70mm), 2-1/2" (64mm), 2" (50mm)
 Handing: Non-Handed
 Thumbturn Spindle: 5x5mm square
 Deadbolt: 1"(25.4mm)
 Cylinder: Schlage C keyway 5 pin mortise cylinder with 2 keys (KD). Other keys available upon request.
 Keying Services available. Order Separately.



FH31 Regal Flush Pull

For PD8000/PD5000 Sliding & Pocket Door Locks



FH31 w/PD84



FH31 w/PD50

Specifications

Standard Door Thickness: 1-3/4" (45mm), Thick door kits available
 Backset: 2-3/4" (70mm), 2-1/2" (64mm), 2" (50mm)
 Handing: Non-Handed
 Thumbturn Spindle: 5x5mm square
 Deadbolt: 1" (25.4mm)
 Cylinder: Schlage C keyway 5 pin mortise cylinder with 2 keys (KD). Other keys available upon request.
 Keying Services available. Order Separately.

Application

For residential or commercial application

Material

Stainless Steel/Brass

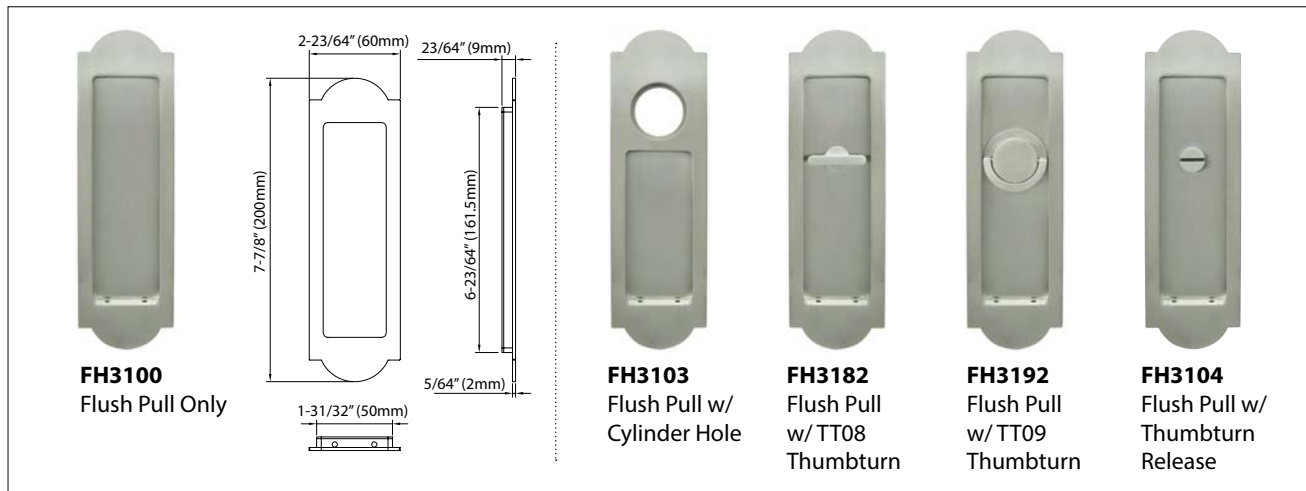
Finish

Standard:

US32D - (630) Satin Stainless Steel
 US32 - (629) Bright Stainless Steel
 US4 - (606) Satin Brass
 US38 - Aged Brass
 US15 - (619) Satin Nickel (Brass)
 US14 - (618) Polished Nickel (Brass)
 US10B - (613) Oil Rubbed Bronze (Brass)
 US26D - (626) Satin Chrome (Brass)

Special Order:

US3 - (605) Bright Brass
 US3UNL - Unlacquered Polished Brass
 US7 - (608) French Antique (Brass)
 US19 - (622) Flat Black (Brass)



FH3100
Flush Pull Only

FH3103
Flush Pull w/
Cylinder Hole

FH3182
Flush Pull
w/ TT08
Thumbturn

FH3192
Flush Pull
w/ TT09
Thumbturn

FH3104
Flush Pull w/
Thumbturn
Release

FH32 Crown Flush Pull

For PD8000/PD5000 Sliding & Pocket Door Locks



FH32 w/PD84



FH32 w/PD50

Application

For residential or commercial application

Material

Stainless Steel/Brass

Finish

Standard:

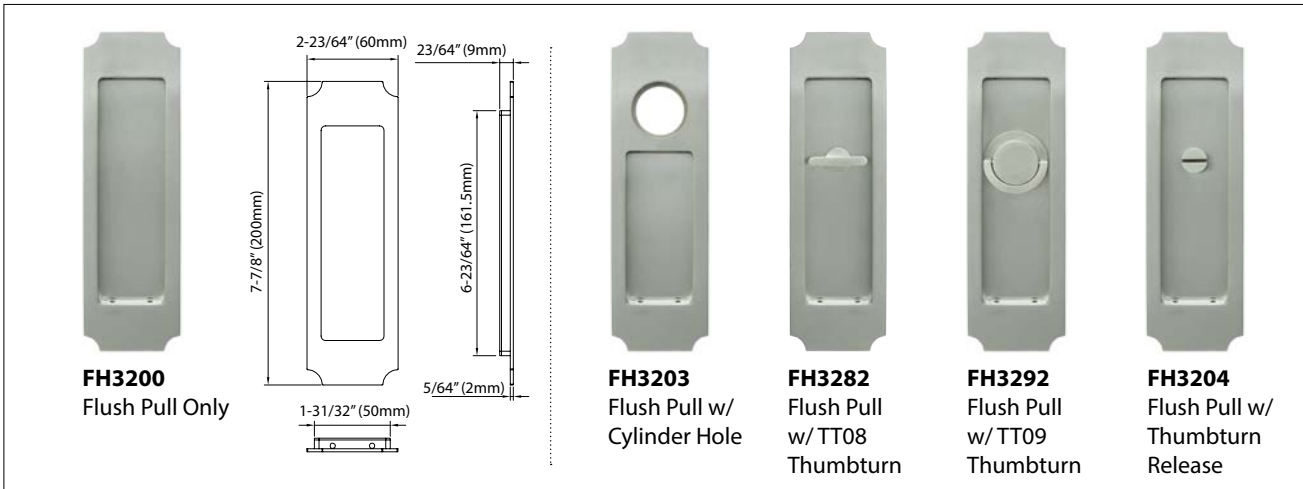
- US32D - (630) Satin Stainless Steel
- US32 - (629) Bright Stainless Steel
- US4 - (606) Satin Brass
- US38 - Aged Brass
- US15 - (619) Satin Nickel (Brass)
- US14 - (618) Polished Nickel (Brass)
- US10B - (613) Oil Rubbed Bronze (Brass)
- US26D - (626) Satin Chrome (Brass)

Special Order:

- US3 - (605) Bright Brass
- US3UNL - Unlacquered Polished Brass
- US7 - (608) French Antique (Brass)
- US19 - (622) Flat Black (Brass)

Specifications

Standard Door Thickness: 1-3/4"(45mm), Thick door kits available
 Backset: 2-3/4"(70mm), 2-1/2" (64mm), 2" (50mm)
 Handing: Non-Handed
 Thumbturn Spindle: 5x5mm square
 Deadbolt: 1"(25.4mm)
 Cylinder: Schlage C keyway 5 pin mortise cylinder with 2 keys (KD). Other keys available upon request.
 Keying Services available. Order Separately.



FH22 Luna Flush Pull

For PD8000/PD5000 Sliding & Pocket Door Locks



FH22 w/PD84

FH22 w/PD50

Specifications

Standard Door Thickness: 1-3/4" (45mm), Thick door kits available
 Backset: 2-3/4" (70mm), 2-1/2" (64mm), 2" (50mm)
 Handing: Non-Handed
 Thumbturn Spindle: 5x5mm square
 Deadbolt: 1" (25.4mm)
 Cylinder: Schlage C keyway 5 pin mortise cylinder with 2 keys (KD). Other keys available upon request.
 Keying Services available. Order Separately.

Application

For residential or commercial application

Material

Stainless Steel/Brass

Finish**Standard:**

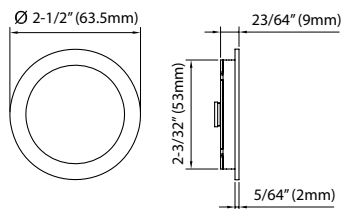
US32D - (630) Satin Stainless Steel
 US32 - (629) Bright Stainless Steel
 US4 - (606) Satin Brass
 US38 - Aged Brass
 US15 - (619) Satin Nickel (Brass)
 US14 - (618) Polished Nickel (Brass)
 US10B - (613) Oil Rubbed Bronze (Brass)
 US26D - (626) Satin Chrome (Brass)

Special Order:

US3 - (605) Bright Brass
 US3UNL - Unlacquered Polished Brass
 US7 - (608) French Antique (Brass)
 US19 - (622) Flat Black (Brass)



FH2200
Flush Pull Only



FH2203
Flush Pull w/
Cylinder Hole



FH2282
Flush Pull
w/ TT08
Thumbturn



FH2204
Flush Pull w/
Thumbturn
Release

FH23 Urban Flush Pull

For PD8000/PD5000 Sliding & Pocket Door Locks



FH23 w/PD84



FH23 w/PD50

Specifications

Standard Door Thickness: 1-3/4"(45mm), Thick door kits available
 Backset: 2-3/4"(70mm), 2-1/2" (64mm), 2" (50mm)
 Handing: Non-Handed
 Thumbturn Spindle: 5x5mm square
 Deadbolt: 1"(25.4mm)
 Cylinder: Schlage C keyway 5 pin mortise cylinder with 2 keys (KD). Other keys available upon request.
 Keying Services available. Order Separately.

Application

For residential or commercial application

Material

Stainless Steel/Brass

Finish

Standard:

- US32D - (630) Satin Stainless Steel
- US32 - (629) Bright Stainless Steel
- US4 - (606) Satin Brass
- US38 - Aged Brass
- US15 - (619) Satin Nickel (Brass)
- US14 - (618) Polished Nickel (Brass)
- US10B - (613) Oil Rubbed Bronze (Brass)
- US26D - (626) Satin Chrome (Brass)

Special Order:

- US3 - (605) Bright Brass
- US3UNL - Unlacquered Polished Brass
- US7 - (608) French Antique (Brass)
- US19 - (622) Flat Black (Brass)

FH2300
Flush Pull Only

FH2303
Flush Pull w/
Cylinder Hole

FH2382
Flush Pull
w/ TT08
Thumbturn

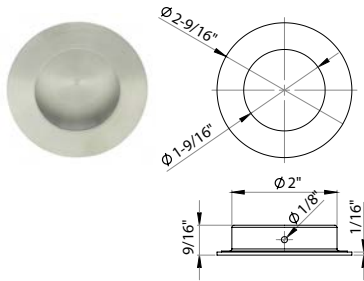
FH2304
Flush Pull w/
Thumbturn
Release

Other Flush Pull Options (Dummy/Passage Only)

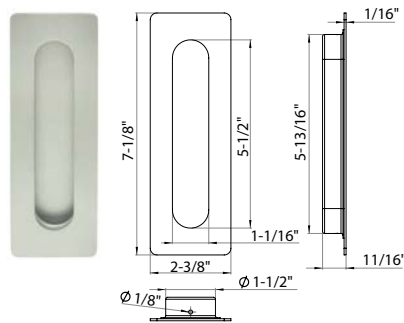
Specification

Stainless Steel, Concealed Fixing, Screws included
 Only Available for Passage Function
 Finishes: US32, US32D, US10B, US4

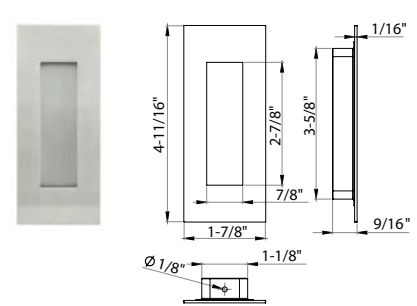
FHIX01
Furniture Pocket Pull



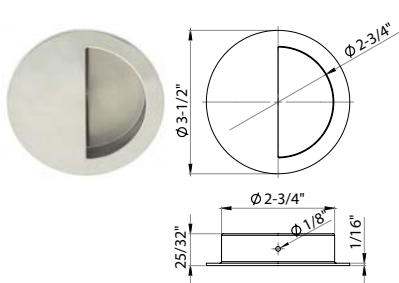
FHIX03
Furniture Pocket Pull



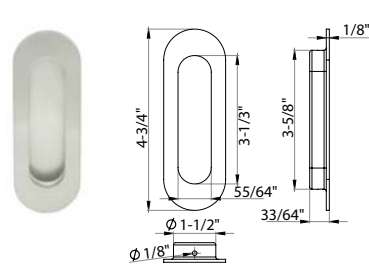
FHIX06
Furniture Pocket Pull



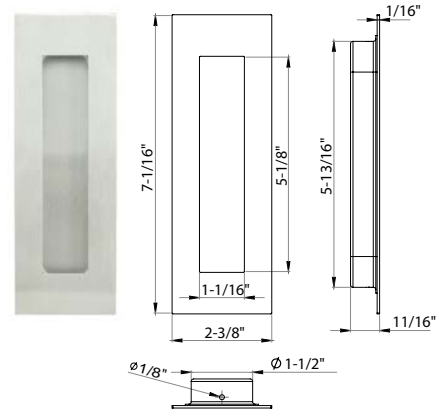
FHIX02
Furniture Pocket Pull



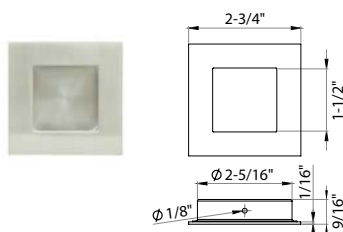
FHIX04
Furniture Pocket Pull



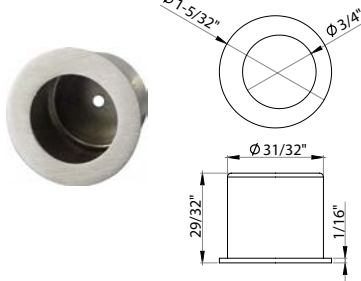
FHIX07
Furniture Pocket Pull



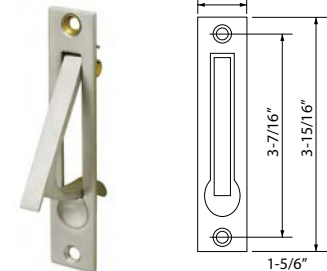
FHIX05
Furniture Pocket Pull



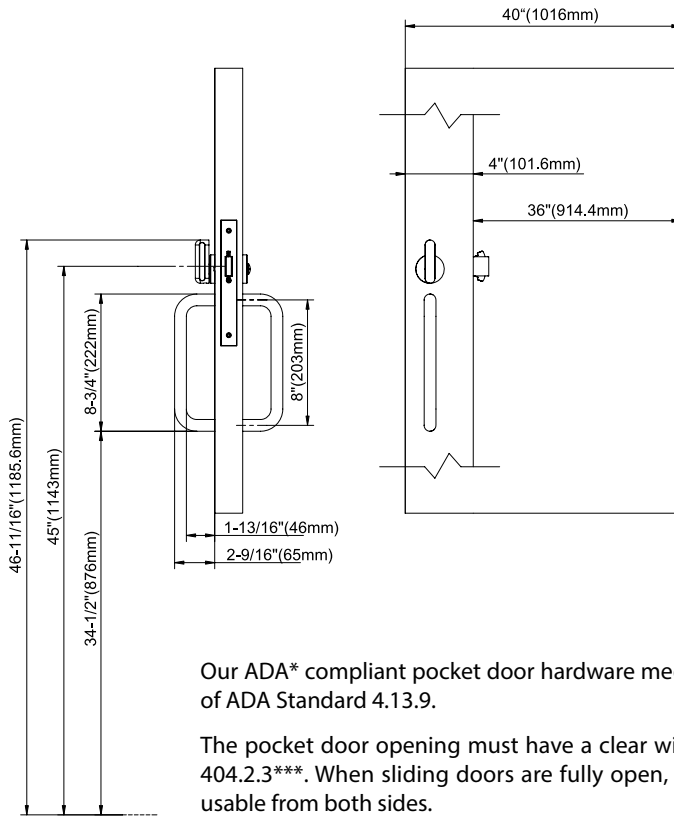
EPIX01
Edge Pull



EPIX02
Edge Pull



PD8000/PD5000 Mortise Locks with Surface Pulls for Sliding/Barn Doors
Americans with Disabilities Act (ADA) Compliance



Our ADA* compliant pocket door hardware meets the "no grasp", "no pinch" requirements of ADA Standard 4.13.9.

The pocket door opening must have a clear width of 36" according to the ADA Standard 404.2.3***. When sliding doors are fully open, operating hardware shall be exposed and usable from both sides.

To accommodate these requirements, the total pocket door opening must be a MINIMUM of 40". The door must protrude a minimum of 4" from the jamb in order to install the ADA pocket door hardware on the door.

The hardware must be installed 34" above the finished floor or ground, giving the hardware a height of 47" (the maximum is 48") from the finished floor, meeting ADA Standard 404.2.7***.

*** Americans with Disabilities Act**

***** The ADA Standard 404.2.3 is from the Department of Justice ADA Publication dated September 15, 2012. Unison Hardware, Inc. recommends the end user double check all State and Federal standards for your particular project.**

ADA* Pull Options


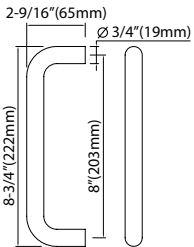

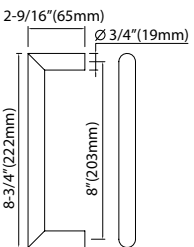

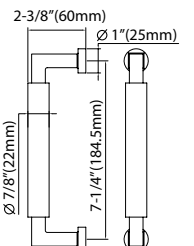

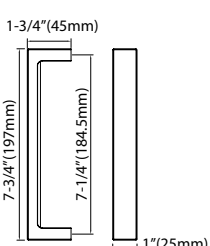
Material: Stainless Steel

Stock Finishes: US32D (630) Satin Stainless Steel

US32 (629) Bright Stainless Steel

SP (split 32/32D) - PHIX41714 only

* Americans with Disabilities Act

	<p>PHIX31108</p> 
	<p>PHIX30108</p> 
	<p>PHIX41714</p> 
	<p>PHIX45714</p> 

Cylinder Collar, Thumbturn and Release Options

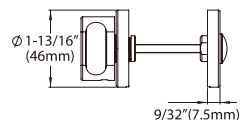
Standard Trim






GR Rose
T-Turn Side



GR Rose
Release Side



Product Illustration	Function	Item No.
	Mortise cylinder escutcheon	EC-R460COL
	Thumbturn on escutcheon	EC-R460TT04
	Thumbturn & Release	EC-R460PVS

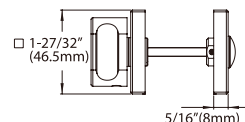
Square Trim

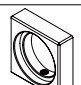
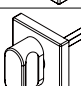
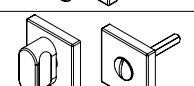


SR Rose
T-Turn Side

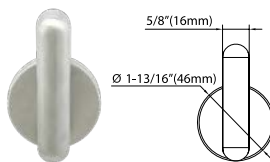


SR Rose
Release Side

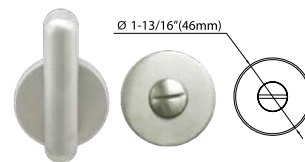


Product Illustration	Function	Item No.
	Mortise cylinder escutcheon	EC-S420COL
	Thumbturn on escutcheon	EC-S420TT04
	Thumbturn & Release	EC-S420PVS

ADA Thumbturn & Release



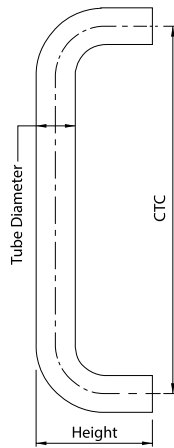
EC-R460TT07-ADA



EC-R460PVS-ADA

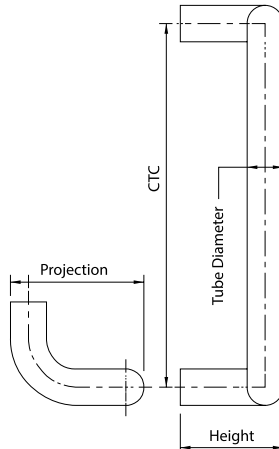
Pull Options

U-Shape Pull



CTC	Length	Height	Item Number
<i>Tube Diameter: Dia. 3/4"</i>			
6"	6-3/4"	2-3/4"	PHIX31106
8"	8-3/4"	2-3/4"	PHIX31108
10"	10-3/4"	2-3/4"	PHIX31110
12"	12-3/4"	2-3/4"	PHIX31112
<i>Tube Diameter: Dia. 1"</i>			
10"	11"	3"	PHIX31210
12"	13"	3"	PHIX31212
<i>Tube Diameter: Dia. 1-1/4"</i>			
12"	13-1/4"	3-1/4"	PHIX31312
18"	19-1/4"	3-1/4"	PHIX31318

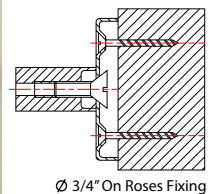
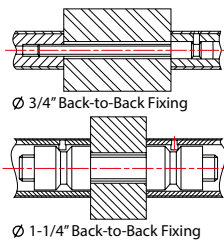
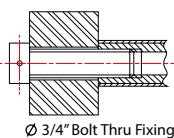
D-Shape Pull

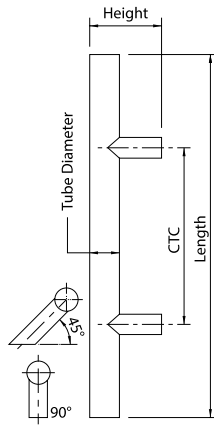


CTC	Length	Height	Projection	Item Number
<i>Tube Diameter: Dia. 1"</i>				
10"	11"	3-1/4"	4-1/2"	PHIX32210
12"	13"	3-1/4"	4-1/2"	PHIX32212
<i>Tube Diameter: Dia. 1-1/4"</i>				
12"	13-1/4"	3-1/2"	4-3/4"	PHIX32312
18"	19-1/4"	3-1/2"	4-3/4"	PHIX32318

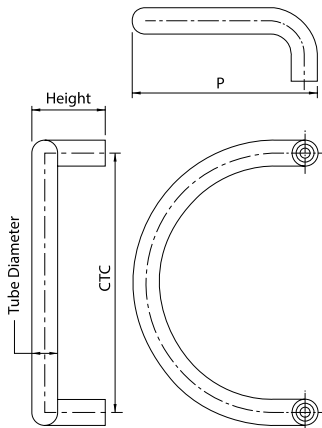
Functions:

- * Bolt-thru = 1 Single pull + 1 Bolt-thru fixing pack (Function Code: BT)
- * Back-to-back = 2 Single pulls + 1 Back-to-back fixing pack (Function Code: BTB)
- * On rosette = 1 Single pull + 1 On-Roses fixing pack (Function Code: OR) * Only available for U shape pull Dia. 3/4"

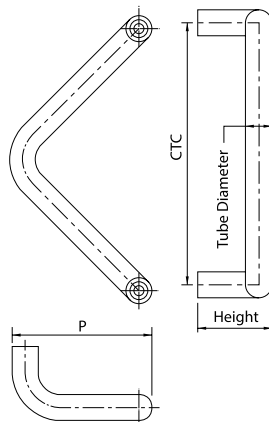


T-Shape Pull

CTC	Length	Height	Degree	Item Number
<i>Tube Diameter: Dia. 1-1/4"</i>				
10"	18"	3"	90°	PHIX33310
12"	20"	3"	90°	PHIX33312
18"	26"	3"	90°	PHIX33318
48"	56"	3"	90°	PHIX33348
60"	68"	3"	90°	PHIX33360
10"	18"	3"	45°	PHIX34310
12"	20"	3"	45°	PHIX34312
18"	26"	3"	45°	PHIX34318

C-Shape Pull

CTC	Length	Height	Projection	Item Number
<i>Tube Diameter: Dia. 1-1/4"</i>				
12"	13-1/4"	3-3/8"	8"	PHIX35312

V-Shape Pull

CTC	Length	Height	Projection	Item Number
<i>Tube Diameter: Dia. 1-1/4"</i>				
12"	13-1/4"	3-1/4"	6"	PHIX36312



Please visit our website
<http://www.inoxproducts.com>
for more technical and new product information.



Unison Hardware, Inc.

6 Wayne Court, Sacramento, CA 95829, USA

Tel: +1.916.388.1888 Fax: +1.916.388.8322

Email: info@unisonhardware.com